

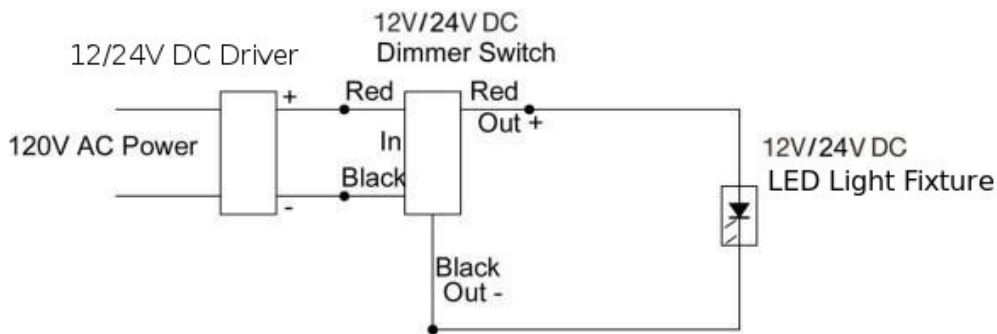
LED Slide Dimmer

INSTRUCTIONS

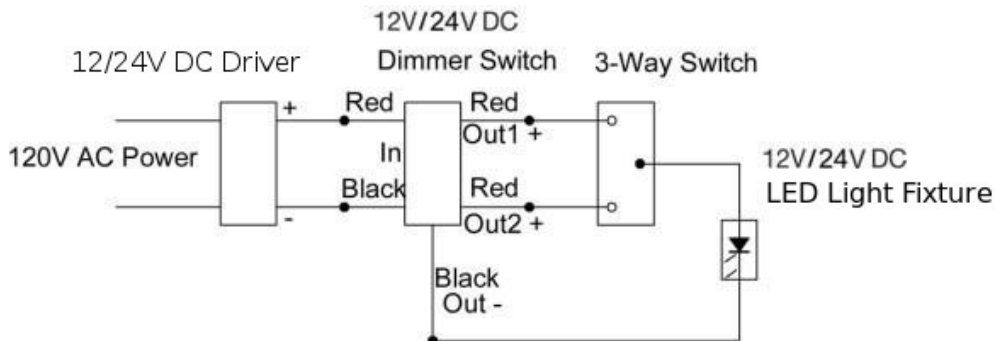
1. Switch off the circuit breaker for the intended installation area.
2. Remove any existing switchplate.
3. Verify there is no power to the switch to be replaced.
4. Remove existing switch.
5. Identify and disconnect power wires from switch.
6. Use the wiring diagram below to connect the dimmer between a 12V/24VDC power supply and 12V/24V LED light fixture.
7. Carefully replace wiring back into wall box, mount the dimmer with supplied screws.
8. Install switchplate.
9. Switch power back on at circuit breaker.

INSTALLATION TIPS

1. Install in accordance with all national and local electrical codes.
2. The maximum load of this dimmer is 60 Watts. There is no minimum load.
3. Use copper power wires that are rated for least 75° Celsius / 167° Fahrenheit.



Single-Pole Wiring



3-Way Wiring