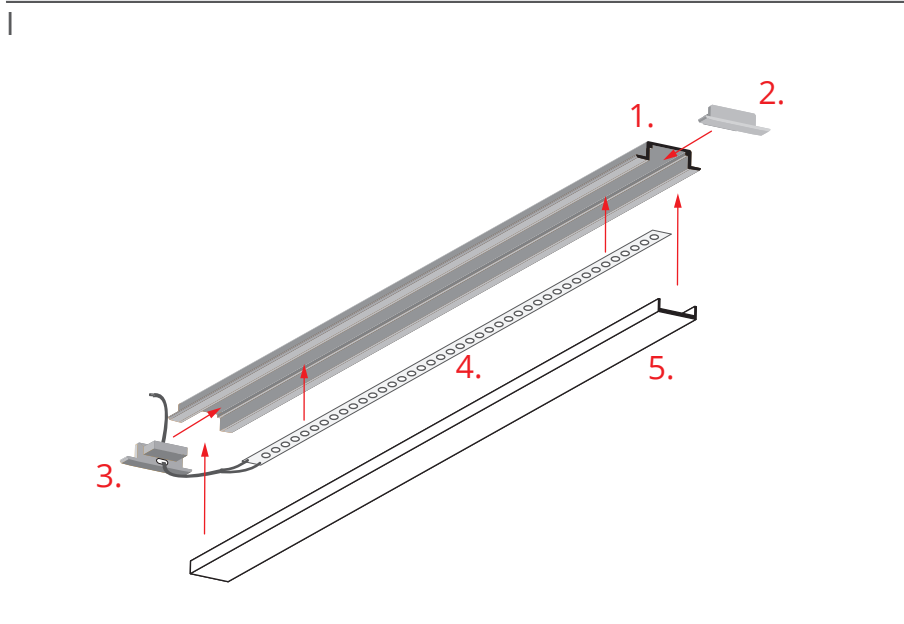


1. MICRO-NK extrusion (Ref. C1587)
2. End cap*
3. End cap with a hole*
4. LED tape*
5. Cover*
6. Power supply 12 V or 24 V*

*The full range of accessories and electronics is available at www.KlusDesign.com

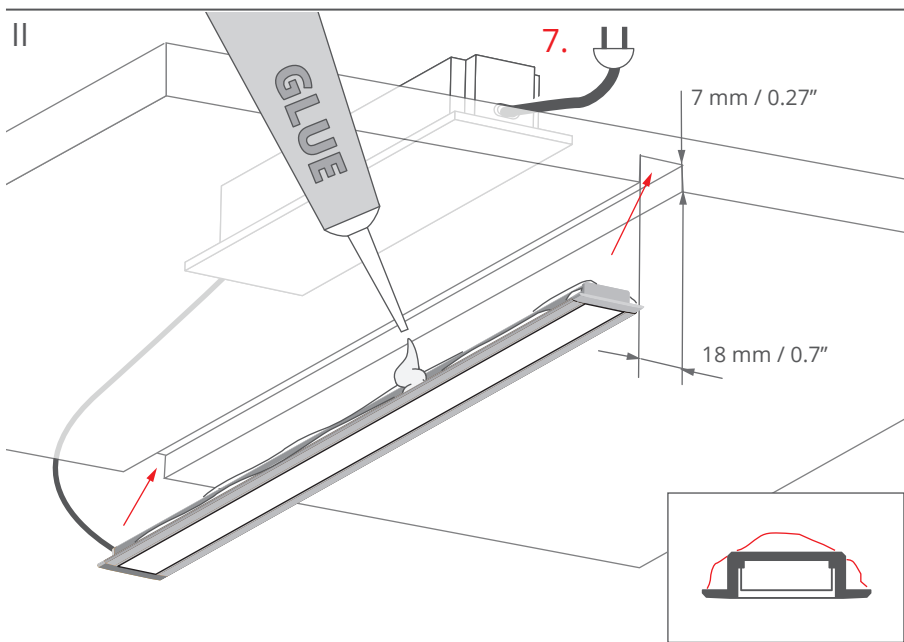
NOTE! All LED tapes must be connected to a 12 V or 24 V power supply.

IMPORTANT: Not all possible mounting procedures are presented here. More mounting procedures and related accessories can be found at www.KlusDesign.com. Drawings of extrusions and accessories in these instructions are simplified and only approximate the actual shapes.



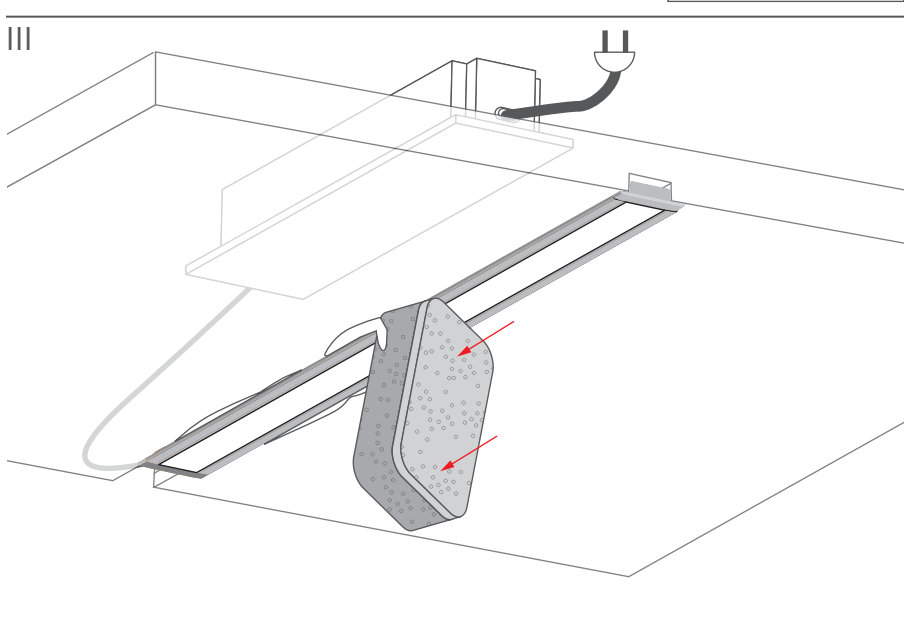
Adhere the LED tape (4) into the MICRO-NK extrusion (1).

Mount the cover (5) and the end caps (2,3). Route the power cable from the LED tape through the hole in the end cap (3).



Connect the LED tape cable to the power supply (7).

Apply a layer of glue to the back of the extrusion and mount the lighting fixture into the channel with the dimensions given in the drawing.



Remove the excess glue from the lighting fixture.