

### XSEL-x

**Important: Read all instructions prior to installation. SAVE THESE INSTRUCTIONS.**

## Edge-Lit LED Exit Light

### Included Parts

- 1 - fixture
- 1 - hardware/mounting kit

### Specifications

XSEL-x	
Total Power Consumption	2.5 Watts
Operating Voltage Range	120/277 VAC
Operating Temperature	23°–113° F (-5°–45° C)
Operating Humidity	< 90%
Fixture Weight	2 lb 7 oz (1.1 kg)
Certification	UL 924

### Important Safeguards

Read and follow all safety instructions. When using electrical equipment, basic safety precautions should always be followed including the following:

- This product should be installed and serviced by a certified electrician in accordance with applicable national, state, and local building and electrical codes.
- Light must be maintained, tested, and serviced in accordance with all applicable National Fire Protection Association (NFPA) and local codes.
- To reduce the risk of electric shock, ensure that the main power source and circuit breakers are switched off before performing any installation or wiring procedures.
- Ensure fixture is securely mounted and mount will support weight of the fixture. Failure to properly support fixture may result in damage or injury, for which the manufacturer does not assume responsibility.
- Equipment should be mounted in locations and at heights where it will not be subjected to tampering by unauthorized personnel.
- Indoor use only—do not use outdoors.
- Do not mount near gas or electric heaters or any other radiant heat sources.
- Use caution when handling or servicing the battery pack.
- For conduit wiring installation, use flexible conduit only
- The use of accessory equipment not recommended by the manufacturer may cause an unsafe condition.
- Do not use this equipment for anything other than its intended use.



### Testing

#### Self-Test Function

When powered on, light will self-test every 5 seconds. Test will look for battery, charger, transformer, and lamp failures. At one month intervals, light will perform a 10-minute battery test. Every 6 months light will perform a 180-minute battery test.

#### Manual Test

Test button can be held to illuminate the lights for manual testing purposes. Table below shows specific manual test lengths accessed by quickly pressing test button.

Button Presses	Function
1	1-minute test
2 (within three seconds)	5-minute test
3 (within three seconds)	90-minute test
4 (within three seconds)	180-minute test

#### Status Indicator Light

When working properly, indicator will illuminate green. During testing, the light will flash continuously. If indicator turns red, refer to chart below to assist in diagnosis of potential faults.

Number of Flashes	Probable Cause
1	battery not connected or faulted
2	battery voltage is too low (below 4.2 V)
3	charge board fault
4	transformer fault
7	“EXIT” LED strip fault

<sup>1</sup>Limited 2-year warranty on battery.



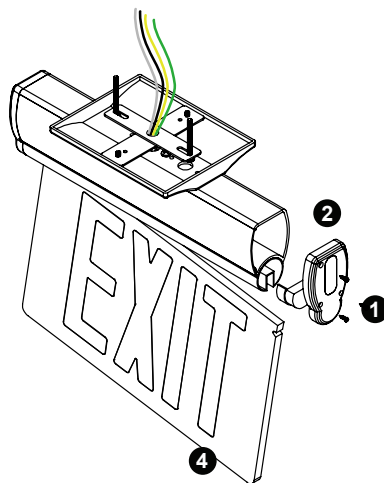
**Important: Read all instructions prior to installation. SAVE THESE INSTRUCTIONS.**

## Edge-Lit LED Exit Light

### Changing Sign Direction

1. Remove three screws from the black end cap with no test button.
2. Carefully remove end cap, friction gear cap, and sign panel.
3. Reinstall friction gear cap and end cap.
4. Align sign with text reading in correct direction. Insert into fixture by placing one side into locked position and then pushing opposite side into place.

Note: Arrow decals are included and can be applied to indicate direction of exit.

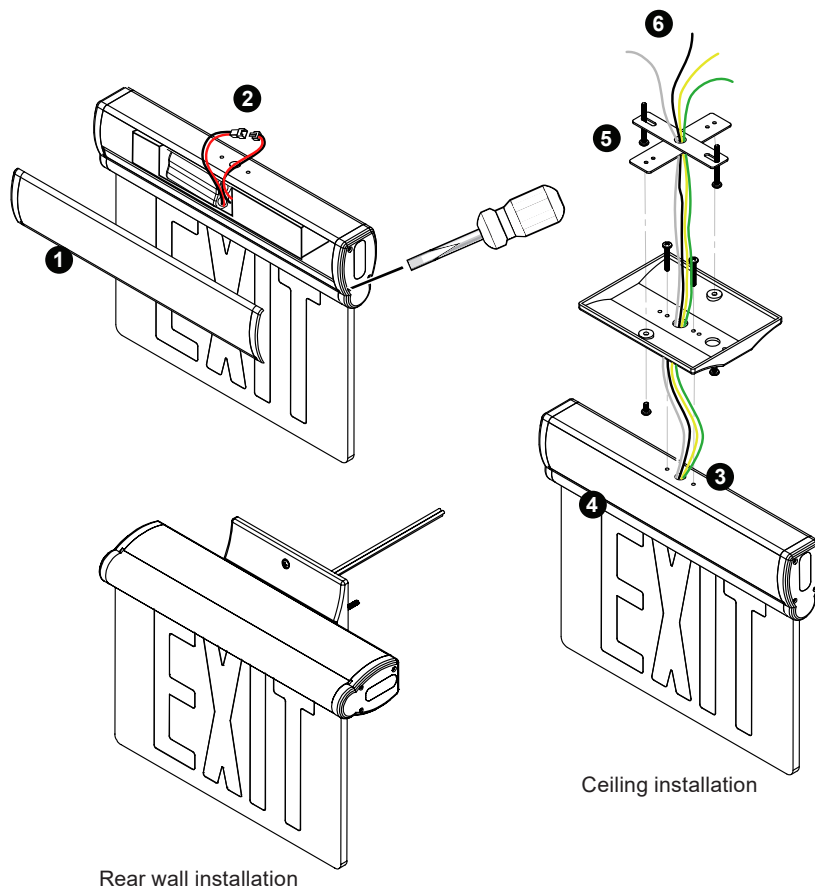


### Ceiling or Rear Wall Installation

1. Turn off AC power.
2. Carefully remove aluminum access plate using a non-marring prying device along the side.
3. Connect wiring for battery and install supplied rubber strain relief.
4. Run wiring through strain relief and mounting bracket, then attach mounting bracket to light.
5. Reinstall aluminum access plate.
6. Install crossbar bracket on junction box.
7. Connect wiring to junction box, corresponding to voltage. Cap unused wire.

Note: Yellow and black wires should never be connected at the same time.

8. Securely attach to crossbar/junction box.
9. Turn on AC supply. Light will initiate self-test.



<sup>1</sup>Limited 2-year warranty on battery.



**Important: Read all instructions prior to installation. SAVE THESE INSTRUCTIONS.**

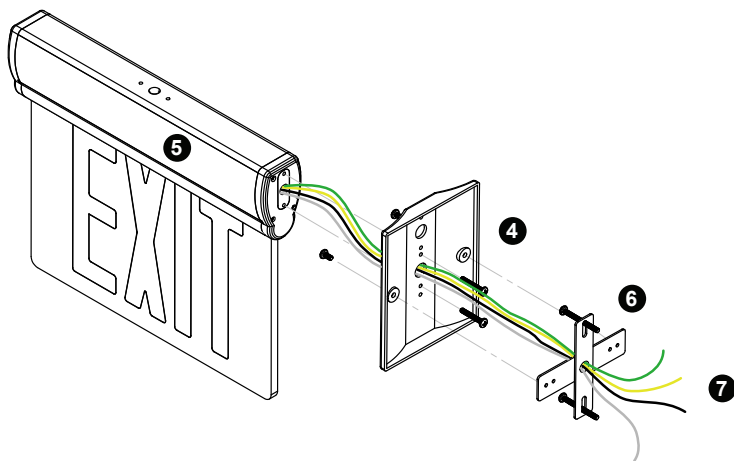
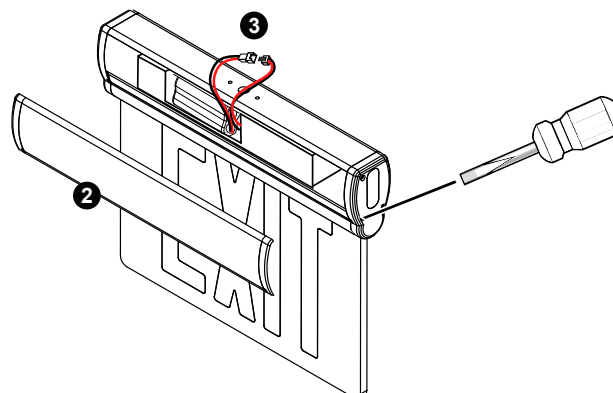
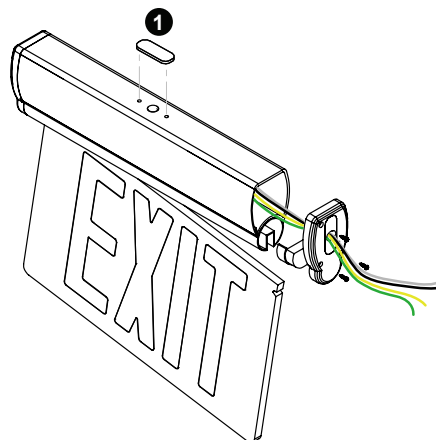
## Edge-Lit LED Exit Light

### Side Wall Installation

1. Turn off AC power.
2. Remove plastic cap from side opposite of test button and install cap into top of fixture.
3. Carefully remove aluminum access plate using a non-marring prying device along the side.
4. Connect wiring for battery and install supplied rubber strain relief.
5. Run wiring through strain relief and mounting bracket, then attach mounting bracket to light.
6. Reinstall aluminum access plate.
7. Install crossbar bracket on junction box.
8. Connect wiring to junction box, corresponding to voltage. Cap unused wire.

Note: Yellow and black wires should never be connected at the same time.

9. Securely attach to junction box.
10. Turn on AC supply. Light will initiate self-test.



### Wiring Diagram

#### 120 V Wiring

White	—————	Neutral
Black	—————	120 V Power
Yellow	—————	Cap
Green	—————	Ground

#### 277 V Wiring

White	—————	Neutral
Black	—————	Cap
Yellow	—————	277 V Power
Green	—————	Ground

<sup>1</sup>Limited 2-year warranty on battery.

