

Important: Read all instructions prior to installation. SAVE THESE INSTRUCTIONS.

LED Exit Sign

Included Parts

- 1 - fixture
- 1 - hardware kit

Specifications

XS-x	
Total Power Consumption	2.5 Watts
Operating Voltage Range	120/277 VAC
Operating Temperature	23°–113° F (-5°–45° C)
Operating Humidity	<90%
Fixture Weight	1 lb 11 oz (0.77 kg)

Important Safeguards

Read and follow all safety instructions. When using electrical equipment, basic safety precautions should always be followed including the following:

- This product should be installed and serviced by a certified electrician in accordance with applicable national, state, and local building and electrical codes.
- Light must be maintained, tested, and serviced in accordance with all applicable National Fire Protection Association (NFPA) and local codes.
- To reduce the risk of electric shock, ensure that the main power source and circuit breakers are switched off before performing any installation or wiring procedures.
- Ensure fixture is securely mounted and mount will support weight of the fixture. Failure to properly support fixture may result in damage or injury, for which the manufacturer does not assume responsibility.
- Equipment should be mounted in locations and at heights where it will not be subjected to tampering by unauthorized personnel.
- Indoor use only—do not use outdoors.
- Do not mount near gas or electric heaters or any other radiant heat sources.
- Use caution when handling or servicing the battery pack.
- For conduit wiring installation, use flexible conduit only
- The use of accessory equipment not recommended by the manufacturer may cause an unsafe condition.
- Do not use this equipment for anything other than its intended use.

XS-x

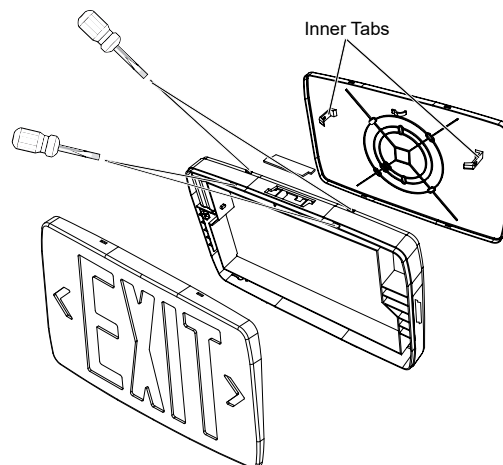


XS-G

Converting for Dual-Sided Operation

Converting for Dual-Sided Operation

1. Carefully remove the “EXIT” panel using a flat-head screwdriver to release tabs.
2. Carefully remove the blank rear panel using a flat-head screwdriver to release four tabs around outside and two inner tabs.
3. Install additional “EXIT” panel in place of blank panel.



Wiring Diagram

120 V Wiring

- Blue ——— Neutral
- Black ——— 120 V Power
- Yellow ——— Cap

277 V Wiring

- Blue ——— Neutral
- Black ——— Cap
- Yellow ——— 277 V Power

¹Limited 2-year warranty on battery.



Important: Read all instructions prior to installation. SAVE THESE INSTRUCTIONS.

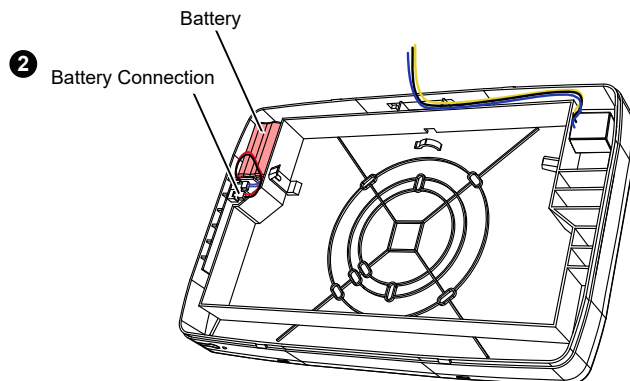
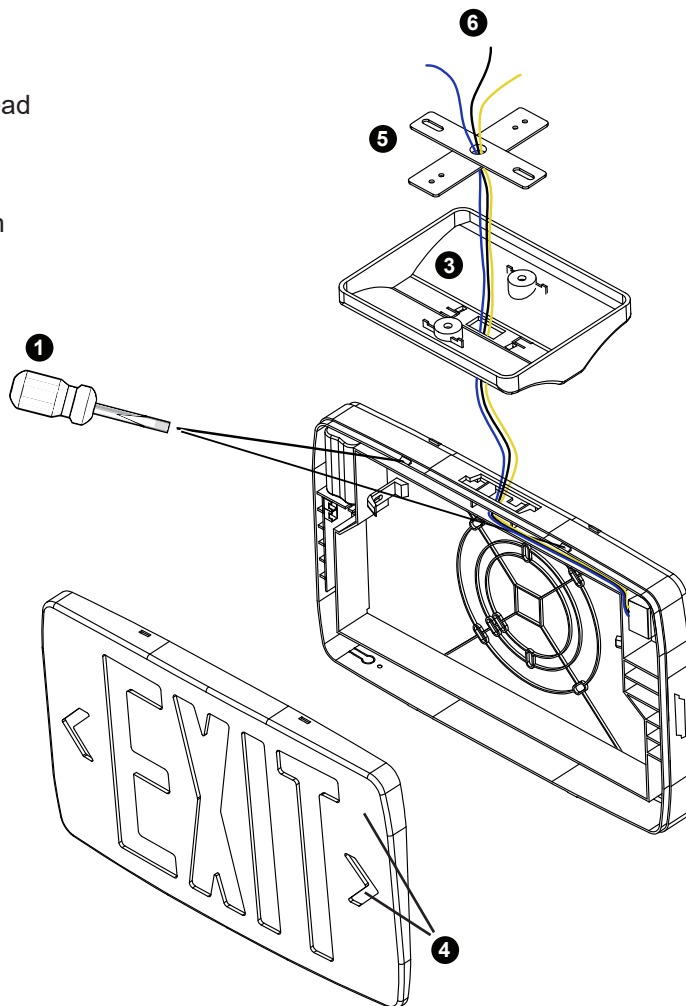
LED Exit Sign

Ceiling Mounting Installation

1. Turn off AC power.
2. Carefully remove the "EXIT" panel using a flat-head screwdriver to release tabs.
3. Connect wiring for battery.
4. Run wiring through mounting bracket, then attach mounting bracket to light.
5. Reinstall "EXIT" panel. Install directional arrow covers as needed.
6. Install crossbar bracket on junction box.
7. Connect wiring to junction box, corresponding to voltage. Cap unused wire.

Note: Yellow and black wires should never be connected at the same time.

8. Securely attach to crossbar/junction box.
9. Turn on AC supply and allow battery pack to charge for at least 24 hours before initial test.
10. After 24-hour period, press test button to make certain light is functioning as intended.



¹Limited 2-year warranty on battery.



Important: Read all instructions prior to installation. SAVE THESE INSTRUCTIONS.

LED Exit Sign

Side Wall Mounting Installation

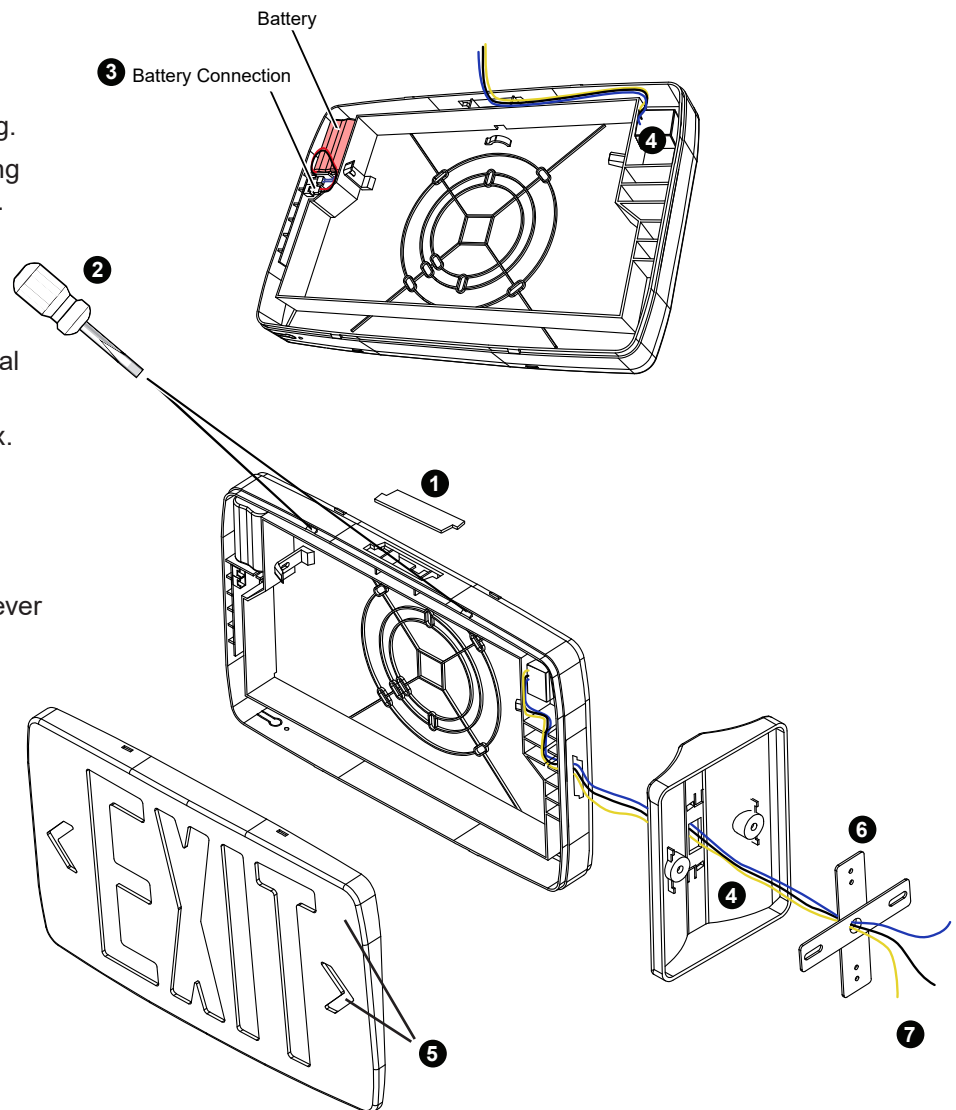
Installation Notes

With single lit "EXIT" panel, sign cannot be mounted from left side.

1. Turn off AC power.
2. Remove the mounting hole cover from side of light and install in top of housing.
3. Carefully remove the "EXIT" panel using a flat-head screwdriver to release tabs.
4. Connect wiring for battery.
5. Run wiring through mounting bracket, then attach mounting bracket to light.
6. Reinstall "EXIT" panel. Install directional arrow covers as needed.
7. Install crossbar bracket on junction box.
8. Connect wiring to junction box, corresponding to voltage. Cap unused wire.

Note: Yellow and black wires should never be connected at the same time.

9. Securely attach to crossbar/junction box.
10. Turn on AC supply and allow battery pack to charge for at least 24 hours before initial test.
11. After 24-hour period, press test button to make certain light is functioning as intended.



¹Limited 2-year warranty on battery.



Important: Read all instructions prior to installation. SAVE THESE INSTRUCTIONS.

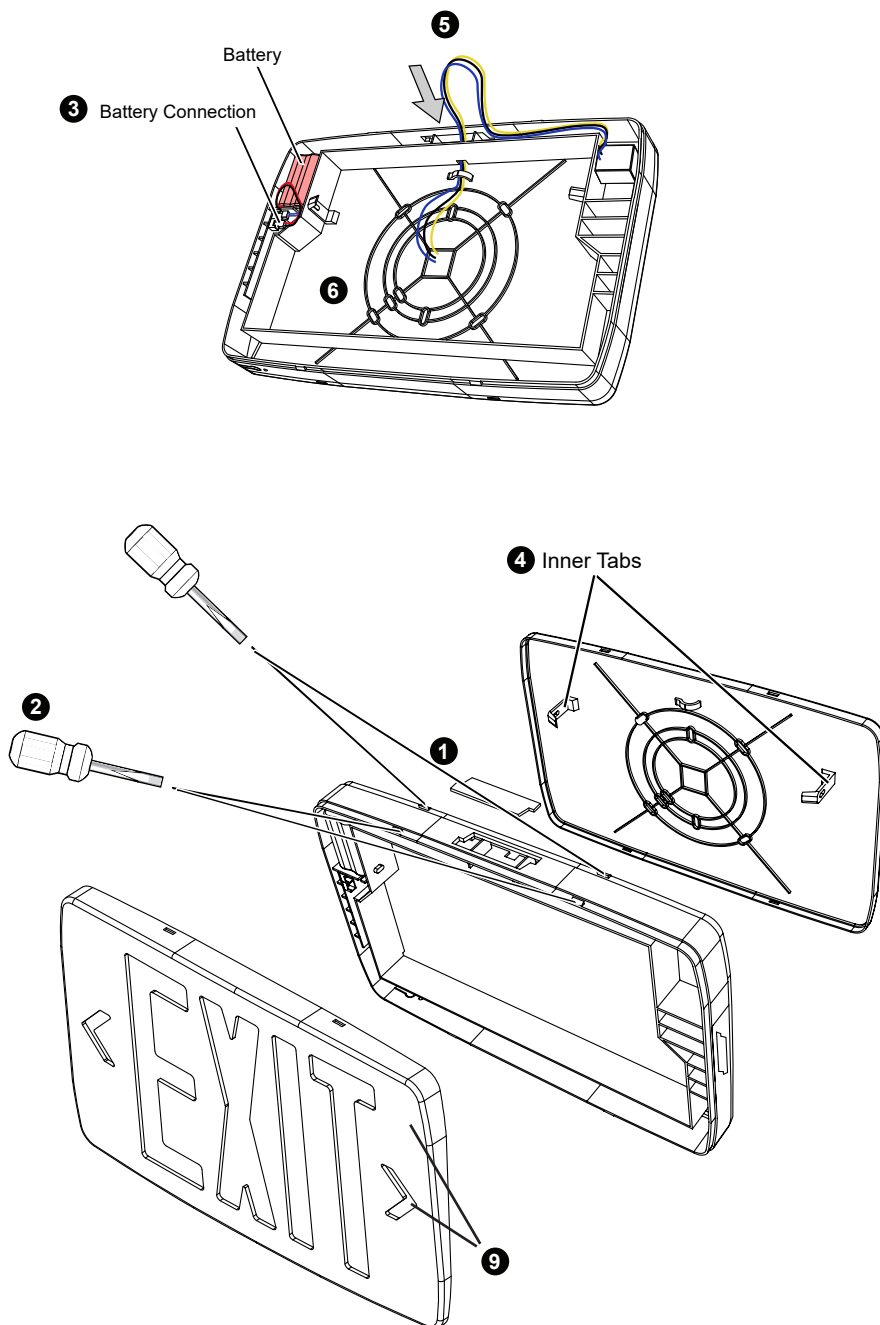
LED Exit Sign

Rear Wall Installation

1. Turn off AC power.
2. Install supplied mounting hole cover in top of light.
3. Carefully remove the "EXIT" panel using a flat-head screwdriver to release tabs.
4. Connect wiring for battery.
5. Partially remove rear housing by releasing two top tabs and two inner tabs.
6. Run wire through notch in casing and close rear of case, making sure it is locked in place and wires are through retaining hook.
7. Drill appropriate knockouts for wiring and mounting from rear panel.
8. Connect wiring to junction box, corresponding to voltage. Cap unused wire. Cap unused wire.

Note: Yellow and black wires should never be connected at the same time.

9. Securely attach to junction box.
10. Reinstall "EXIT" panel. Install directional arrow covers as needed.
11. Turn on AC supply and allow battery pack to charge for at least 24 hours before initial use.
12. After 24-hour period, press test button to make certain light is functioning as intended.



¹Limited 2-year warranty on battery.

