

WUD Series

LED Wash Down UFO High Bay Specifications

Project _____

Date _____ Type _____



Features

- 100–277 VAC
- 80+ CRI
- L70 rated 50,000 hour lifetime
- IP69K rated water resistance

Construction

Manufactured with a durable aluminum housing—offered in grey or white finish—and feature a polycarbonate lens. These are IP69K rated and feature a wash down design for easy and effective cleaning using a pressure washer or other high pressure cleaning system.

Application

Easily replaces inefficient metal-halide fixtures such as those found in restaurants, food processing plants, kitchens, general food preparation related locations, and other areas where a specialized high bay lighting solution is required.

Output Equivalencies

WUD-50K100H-110	400 W metal-halide
WUD-50K150H-110	400 W metal-halide
WUD-50K200H-110	750 W metal-halide

Mounting Height

Model	Optimal Mounting Height
WUD-50K100H-110	15–20 ft (4.5–6.1 m)
WUD-50K150H-110	20–25 ft (6.1–7.6 m)
WUD-50K200H-110	25–30 ft (7.6–9.1 m)

Available Models¹

grey finish

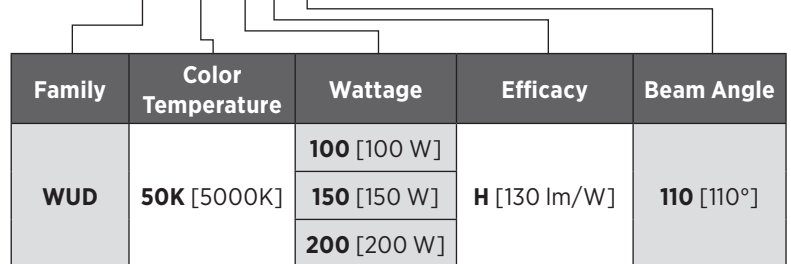
- WUD-50K100H-110
- WUD-50K150H-110
- WUD-50K200H-110

white finish

- WUD-50K100H-110 (White)
- WUD-50K150H-110 (White)
- WUD-50K200H-110 (White)

Part Number Breakdown

Example: WUD-50K200H-110



Warranty

Five (5) year warranty

Certifications and Compliances

These lights are UL Listed in compliance with UL 1598 (IFAM) and are listed as DLC Premium. These are also ETL sanitation listed to NSF Std. 2.



Notes

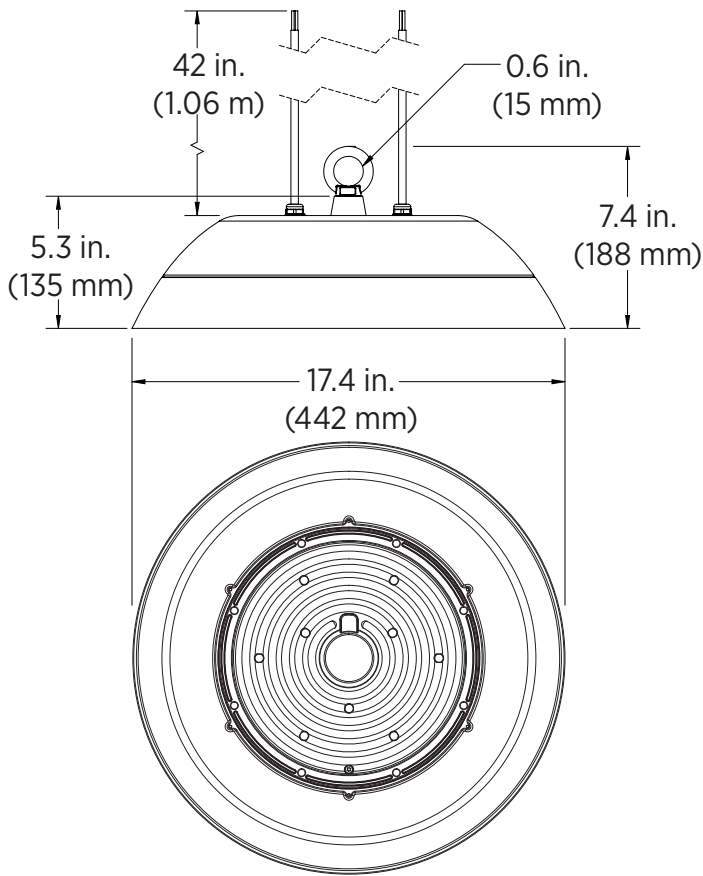
¹Contact customer service if interested in options other than those listed.



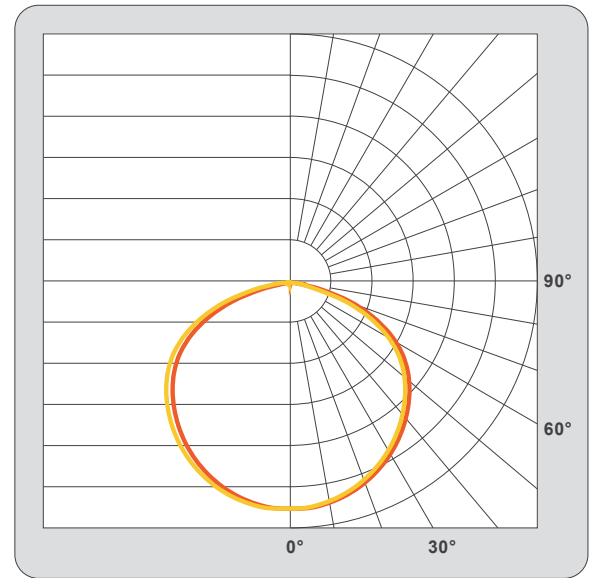
WUD Series

LED Wash Down UFO High Bay Specifications

Dimensional Drawing



Photometrics - Beam Angle



Additional model-specific photometric data available on site or upon request.

Mounting Height

Model	Optimal Mounting Height
UHBD2-xK100H-110	15-20 ft (4.5-6.1 m)
UHBD2-xK150H-110	20-25 ft (6.1-7.6 m)
UHBD2-xK200H-110	25-30 ft (7.6-9.1 m)

Specifications

Model	UHBD2-50K100H-110	UHBD2-50K150H-110	UHBD2-50K200H-110
Intensity	13,000 lm	19,500 lm	26,000 lm
Operating Voltage	100-277 VAC		
Power Consumption	100 W	150 W	200 W
Current Draw	0.83 A @120 VAC	1.25 A @120 VAC	1.67 A @120 VAC
Efficacy	130 lm/W		
Color Temperature	5000K		
Beam Angle	110°		
CRI	80+		
Dimming	1-10 V		
IP Rating	IP69K		
Ambient Operating Temperature	-40°-131° F (-40°-55° C)		
Product Weight	14.75 lb (6.7 kg)		
Rated Life (L70)	50,000 hours		

