

Important: Read all instructions prior to installation.

Food Safe LED UFO High Bay Light

Included Parts

- 1 - High Bay Light
- 1 - Eye Bolt

Optional Accessories

- HBU-CARB - Steel Carabiner (Bright)
- SC-300 - Steel Carabiner (Black)
- MC054V RC D - Merrytek Microwave Motion Sensor
- DMD-LED3-105-x - LED Switch and Slide Dimmer

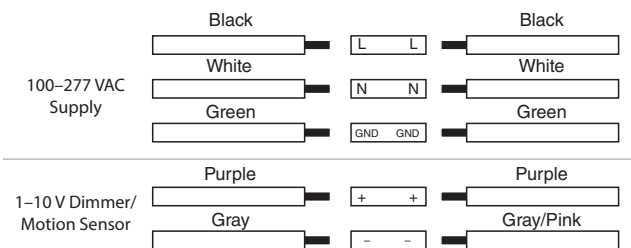
Safety and Notes

- Product should be installed by a certified electrician in accordance with applicable national, state, and local building and electrical codes.
- To reduce the risk of electric shock, ensure that the main power source and circuit breakers are switched off before performing any installation or wiring procedures.
- Avoid looking directly into the lamp when illuminated.
- Ensure all mounts are securely attached and will support the weight of the fixture. Failure to properly support the fixture may result in damage or injury, for which the manufacturer does not assume responsibility.

Installation

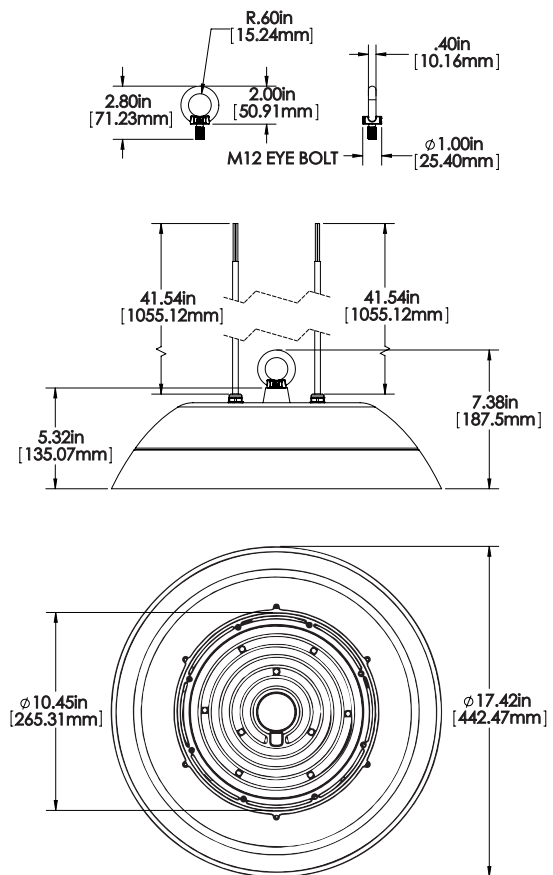
- Ensure eye bolt is properly tightened.
- Connect wiring as shown in supplied wiring diagram.
- Hang fixture on hook or carabiner (not included).

Wiring Diagram



WUD-50K150H-110

Dimensional Diagrams



Specifications

Check product label for specific electrical specifications related to installation. Improper installation will void warranty.

Model	WUD-xKxH-110
Operating Temperature	-40–131° F (-40–55° C)
Environmental Rating	IP66/IP69K
Dimming	1–10 V
Weight	14.75 lb (6.7 kg)



Rev Date: V2 09/30/2021

4400 Earth City Expy, St. Louis, MO 63045

• 866-590-3533

• superbrightleds.com