

WUDC Series

LED Wash Down UFO High Bay Specifications

Project _____

Date _____ Type _____



Description

WUDC series circular UFO washdown lights meet the criteria for both NSF certification (ETL tested) and FDA/USDA guidelines for food and beverage processing. The unique circular form factor enhances the safety for sanitary environments like commercial kitchens. Because it has smooth edges and no exposed fasteners, the high bay fixture is easy to clean and prevents the accumulation of bacteria, residue, and other contaminants. The sealed construction can withstand high pressure washing and wet locations and is IP69K rated. The powder-coated aluminum body resists corrosion and impact resistant polycarbonate lens won't shatter under stress like a glass lens.

Mechanical

- Silicone gasketed lens assembly and IP69K rated for high pressure wash down
- Powder-coated white aluminum body
- Polycarbonate lens
- -40°-113° F (-40°-45° C) operating temperature

Electrical

- 120-277 VAC input
- ≥0.9 power factor
- 50,000 hour LED lifetime

Photometrics

- 110° beam angle
- 80+ CRI at 5000K
- High efficacy of 135 lm/W
- Equivalent to 400 W metal-halide UFOs

Available Models¹

- WUDC-50K100RH-110
- WUDC-50K150RH-110

Part Number Breakdown

Example: WUDC-50K100RH-110

Family	Color Temperature	Wattage	Efficacy	Beam Angle
WUDC	50K [5000K]	100 [100 W]	RH [135 lm/W]	110 [110°]
		150 [150 W]		

Application

Easily replaces inefficient metal-halide fixtures such as those found in restaurants, food processing plants, kitchens, general food preparation related locations, and other areas where a specialized high bay lighting solution is required.

Warranty

Five (5) year warranty

Certifications and Compliances

These lights are UL Listed in compliance with UL 1598 (IFAM) and are listed as DLC Premium. These are also ETL sanitation listed to NSF Std. 2.



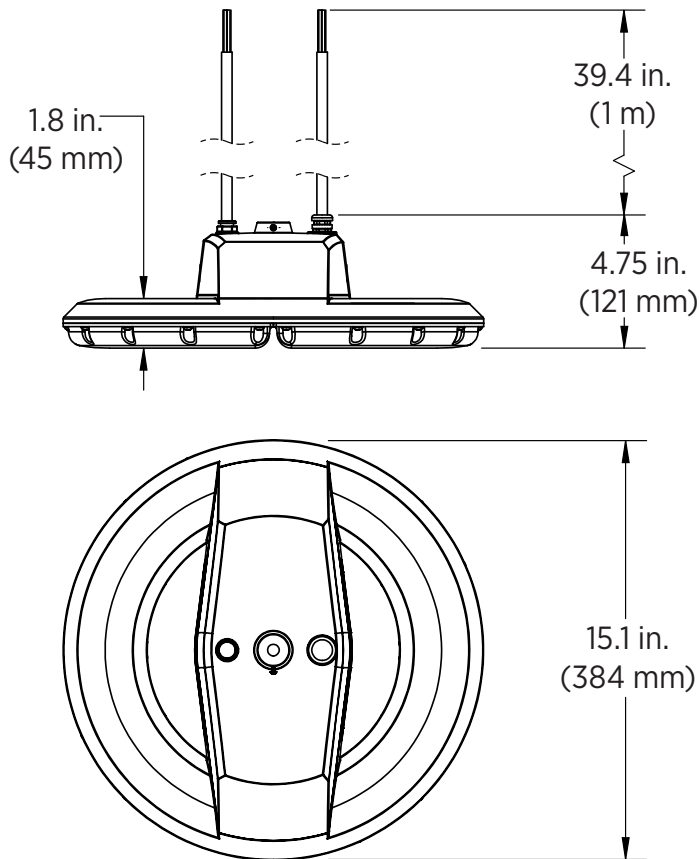
T 866.811.5550
 F 314.972.6202
 email: commercial-sales@superbrightleds.com
 www.superbrightleds.com/cat/industrial-led-lighting/

¹Contact customer service if interested in options other than those listed.

WUDC Series

LED Wash Down UFO High Bay Specifications

Dimensional Drawing



Specifications

Model	WUDC-50K100RH-110	WUDC-50K150RH-110
Intensity	13,500 lm	20,250 lm
Operating Voltage	120-277 VAC	
Power Consumption	100 W	150 W
Current Draw	833 mA @ 120 VAC / 361 mA @ 277 VAC	1.25 A @ 120 VAC / 542 mA @ 277 VAC
Efficacy	135 lm/W	
Color Temperature	5000K	
Beam Angle	110°	
CRI	80+	
Dimming	1-10 V	
IP Rating	IP69K	
Ambient Operating Temperature	-40°-113° F (-40°-45° C)	
Product Weight	9.2 lb (4.2 kg)	
Rated Life (L70)	50,000 hours	

T 866.811.5550

F 314.972.6202

email: commercial-sales@superbrightleds.com

www.superbrightleds.com/cat/industrial-led-lighting/

