

**Important:** Read all instructions prior to installation.

## Food-Safe LED UFO High Bay Light

### Included Parts

- 1 - High Bay Light
- 1 - Eye Bolt

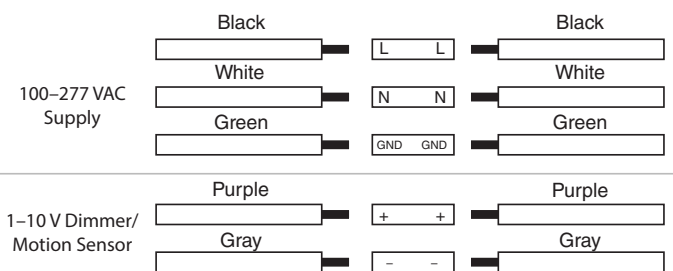
### Safety and Notes

- Product should be installed by a certified electrician in accordance with applicable national, state, and local building and electrical codes.
- To reduce the risk of electric shock, ensure that the main power source and circuit breakers are switched off before performing any installation or wiring procedures.
- Avoid looking directly into the lamp when illuminated.
- Ensure all mounts are securely attached and will support the weight of the fixture. Failure to properly support the fixture may result in damage or injury, for which the manufacturer does not assume responsibility.

### Installation

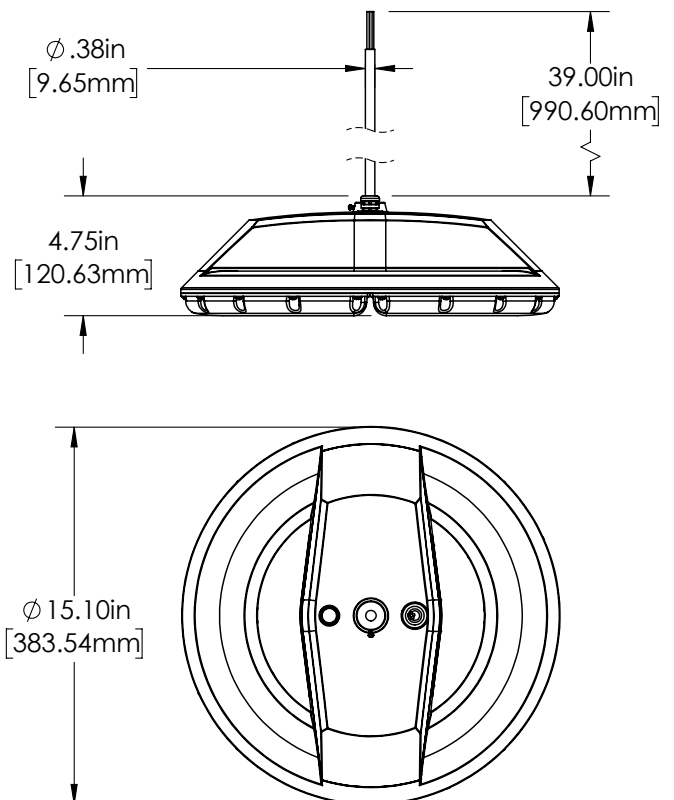
1. Ensure eye bolt is properly tightened.
2. Connect wiring as shown in supplied wiring diagram.
3. Hang fixture on hook or carabiner (not included).

### Wiring Diagram



WUDC-50K100RH-110

### Dimensional Diagrams



### Specifications

Check product label for specific electrical specifications related to installation. Improper installation will void warranty.

Model	WUDC-50KxRH-110
Operating Temperature	-40°–113° F (40°–45° C)
Environmental Rating	IP69K
Dimming	1–10 V
Weight	9.2 lb (4.2 kg)



Rev Date: V0.1 10/18/2018

4400 Earth City Expy, St. Louis, MO 63045

• 866-590-3533

• [superbrightleds.com](http://superbrightleds.com)