

WRP Series

LED Wraparound Light Specifications

Project _____

Date _____ Type _____



Features

- 100–277 VAC input
- 0–10 V dimmer compatible
- 80+ CRI
- Includes hanging kit and brackets for surface mounting

Construction

Lightweight body with white finish and frosted polycarbonate lens. Features knockouts on each end for additional wiring options.

Application

Easily replaces traditional T5 and T8 fluorescent strip fixtures. Simple installation and the ability to wire end to end make these ideal fixtures for many applications including garages, shops, warehouses, and other work or storage areas.

Output Equivalencies

WRP-xK20F2	2-lamp 17 W T8 fixture
WRP-xK40F4	2-lamp 32 W T8 fixture

Warranty

Five (5) Year Warranty

Certifications and Compliances

ETL Listed and RoHS compliant.



Available Models¹

4000K

WRP-40K20F2

WRP-40K40F4

5000K

WRP-50K20F2

WRP-50K40F4

Part Number Breakdown

Example: WRP-50K40F4

Family	CCT	Wattage	Lens Type	Size
WRP	40K [4000K]	20 [20 W]	F [Frosted]	2 [2' long]
	or 50K [5000K]	40 [40 W]		4 [4' long]

Specifications

Model	WRP-xK20F2	WRP-xK40F4
Intensity	2,000 lm	4,000 lm
Operating Voltage	100–277 VAC	
Power Consumption	20 W	40 W
Current Draw	0.17 A @ 120 VAC	0.33 A @ 120 VAC
Efficacy	100 lm/W	
Color Temperature	4000K or 5000K (as ordered)	
Beam Angle	120°	
CRI	80+	
Power Factor	≥ 0.9	
Dimming	0–10 V	
Environmental Rating	damp location	
Ambient Operating Temperature	-4°–104° F (-20°–40° C)	
Product Weight ⁵	1.3 lb (0.6 kg)	2.1 lb (0.9 kg)
Rated Life (L70)	30,000 hours	

Notes

¹Contact customer service if interested in options other than those listed.



T 314.743.3067

F 314.972.6202

email: commercial-sales@superbrightleds.com

www.superbrightleds.com/cat/industrial-led-lighting/

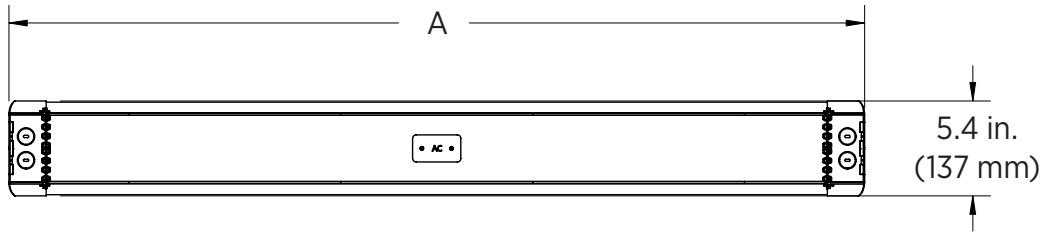
Rev V1 Date: 2/19/2019
Specifications are subject to change without notice.

Printed in the U.S.A.

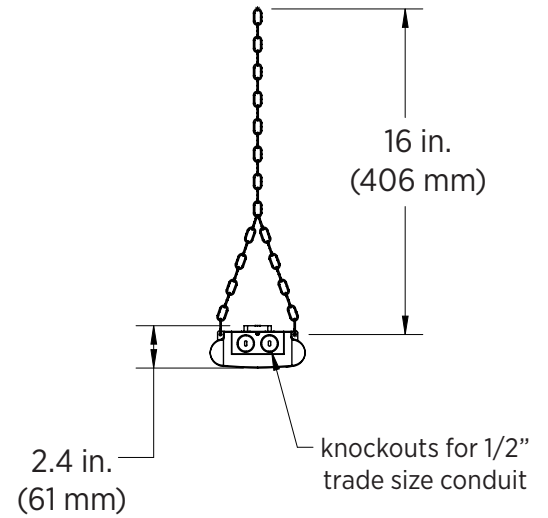
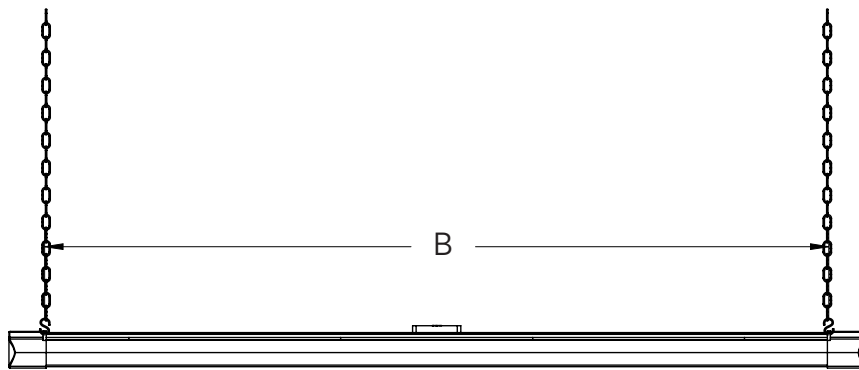
WRP Series

LED Wraparound Light Specifications

Dimensional Drawing



WRP-xK40F4 shown



Model	Length (A)	Length (B)
WRP-xK20F2	24.5 in. (622 mm)	20.45 in. (519 mm)
WRP-xK40F4	48.5 in. (1.23 m)	44.45 in. (1.13 m)

Notes

