

## WPS Series

LED Wall Pack Specifications

Project \_\_\_\_\_

Date \_\_\_\_\_ Type \_\_\_\_\_



WP2-xK40-LBRS



### Features

- 100-277 VAC
- 80+ CRI
- L70 rated 50,000 hour lifetime
- IP65 rated water resistance
- Built-in photocell sensor

### Construction

Manufactured with a durable aluminum housing and polycarbonate lens.

### Application

Easily replaces inefficient metal-halide fixtures such as those found in warehouses, parking lots and garages, gas stations, and other commercial and industrial spaces. These are also a great solution for entryways and other areas where good lighting is essential for security.

### Output Equivalencies

WPS-xK40-LBR	175 W metal-halide
WPS-xK60-LBR	250 W metal-halide

### Warranty

Five (5) Year Warranty

### Certifications and Compliances

These lights are UL Listed in compliance with UL 1598 (IFAM) and are also listed as DLC Standard.



T 866.811.5550  
 F 314.972.6202  
 email: commercial-sales@superbrightleds.com  
 www.superbrightleds.com/cat/industrial-led-lighting/

### Available Models<sup>1</sup>

#### 4000K

- WPS-40K40-LBR
- WPS-40K60-LBR

#### 5000K

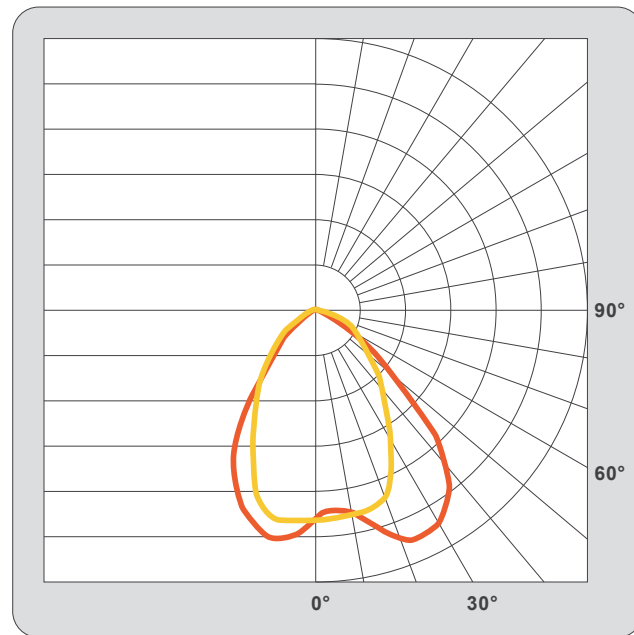
- WPS-50K40-LBR
- WPS-50K60-LBR

### Part Number Breakdown

Example: WPS-40K40-LBR

Family	Color Temperature	Wattage	Finish
WPS	40K [4000K]	40 [40 W]	LBR [brown, PMS 412C]
	or 50K [5000K]	60 [60 W]	

### Photometrics - Beam Angle



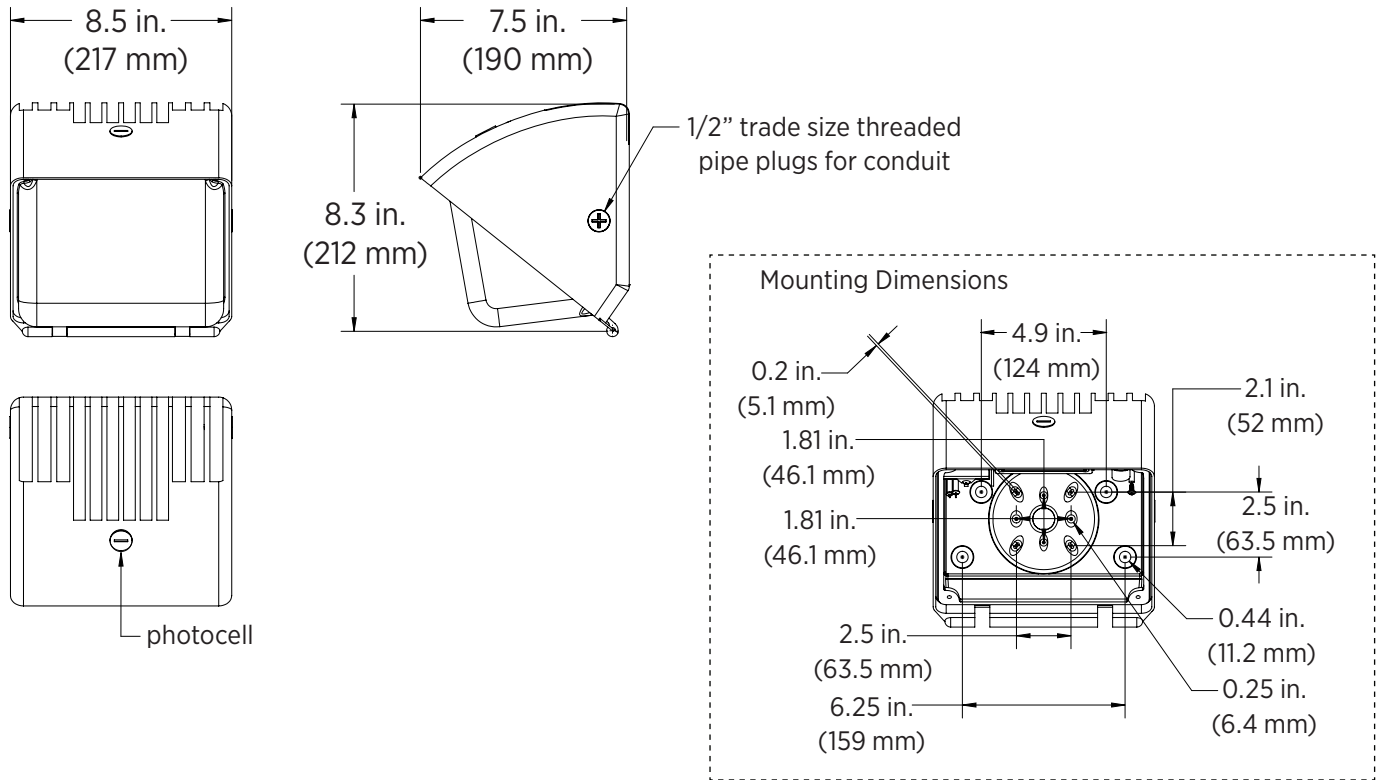
Additional model-specific photometric data available on site or upon request.

<sup>1</sup>Contact customer service if interested in options other than those listed.

## WPS Series

LED Wall Pack Specifications

### Dimensional Drawing



### Specifications

Model	WPS-xK40-LBR	WPS-xK60-LBR
Intensity <sup>2</sup>	5,300–5,400 lm	7,500–7,600 lm
Operating Voltage	100–277 VAC	
Power Consumption	40 W	60 W
Current Draw	0.33 A @120 VAC	0.5 A @120 VAC
Efficacy	≥132 lm/W	≥125 lm/W
Color Temperature	4000K or 5000K (as ordered)	
Beam Angle	80° x 80° (NEMA 5 x 5)	
CRI	80+	
Dimming	no	
Photocell Operation	Light turns on when the ambient light level falls below 25 lx and will turn off when the ambient light level exceeds 130 lx.	
IP Rating	IP65	
Ambient Operating Temperature	-22°–113° F (-30°–45° C)	
Product Weight	4.1 lb (1.9 kg)	
Rated Life (L70)	50,000 hours	

<sup>2</sup>Intensity varies by CCT, with cooler temperatures having higher lumen values.

