

## WPR2 and WPRCCT Series

Rotatable LED Wall Pack Specifications

Project \_\_\_\_\_

Date \_\_\_\_\_ Type \_\_\_\_\_



WPR2-50K120-FST1-BRP



### Description

WPR2 and WPRCCT series wall packs utilize LED modules that rotate a full 360° for versatile, adaptable light aiming and distribution. Integrated photocell enables automatic dusk to dawn operation. Die-cast aluminum housing is powder coated and sealed polycarbonate lens are designed to withstand outdoor conditions. Superior thermal management and high performance LEDs ensure a long lifespan and zero maintenance for this architectural fixture. Selectable CCT models also allow the installer to choose between 3000K, 4000K, and 5000K settings.

### Mechanical

- 360° light head rotation in 15° increments
- Brown (Pantone 412C) powder-coated aluminum housing and polycarbonate lens
- Operating temperature of -22°-113° F (-30°-45° C)
- IP65 environmental rating
- 5-year warranty

### Electrical

- 120-277 VAC input
- 0-10 V dimmable
- Built-in surge protection
- Integrated photocell
- 50,000 hour rated LED lifespan
- Power factor ≥0.9

### Photometrics

- NEMA 4 x 4 distribution (60° x 60° beam angle)
- 5000K and selectable CCT (3000K / 4000K / 5000K) versions

### Available Models<sup>1</sup>

5000K

- WPR2-50K40-HST1-BRP
- WPR2-50K80-WST1-BRP
- WPR2-50K120-FST1-BRP

Selectable CCT

- WPRCCT-SW3B25-HST1-BRP
- WPRCCT-SW3B60-WST1-BRP

### Part Number Breakdown

Example: WPRCCT-SW3B60-WST1-BRP

Family	Color Temperature	Wattage	Distribution	Finish	Built-in Options
WPR2	50K [5000K]	40 [40 W]	HST1, WST1, or FST1 [NEMA 4x4]	BR [brown]	P [photocell]
		80 [80 W]			
		120 [120 W]			
WPRCCT	SW3B [selectable, 3000K / 4000K / 5000K]	25 [25 W]	HST1, WST1, or FST1 [NEMA 4x4]	BR [brown]	P [photocell]
		60 [60 W]			

### Certifications and Compliances

These lights are UL Listed in compliance with UL 1598 (IFAM) and are listed as DLC Premium 5.1<sup>2</sup>.



### Application

Easily replace inefficient metal-halide fixtures such as those found in warehouses, parking lots and garages, gas stations, and other commercial and industrial spaces. These are also a great solution for entryways, walkways, and other areas where good lighting is essential for security.

### Warranty

Five (5) Year Warranty

<sup>1</sup>Contact customer service if interested in options other than those listed.

<sup>2</sup> To meet the requirements of DLC certification, lamps on dual-head lights must be aimed in the same direction.



# WPR2 and WPRCCT Series

Rotatable LED Wall Pack Specifications

## Specifications

Model	WPR2			WPRCCT	
	-50K40-HST1-BRP	-50K80-WST1-BRP	-50K120-FST1-BRP	-SW3B25-HST1-BRP	-SW3B60-WST1-BRP
Intensity <sup>3</sup>	5,800 lm	11,200 lm	16,800 lm	3,250-3,375 lm <sup>3</sup>	7,500-8,400 lm <sup>3</sup>
Operating Voltage	120-277 VAC				
Power Consumption	40 W	80 W	120 W	25 W	60 W
Current Draw	333 mA @ 120 VAC 144 mA @ 277 VAC	667 mA @ 120 VAC 288 mA @ 277 VAC	1 A @ 120 VAC 433 mA @ 277 VAC	208 mA @ 120 VAC 90 mA @ 277 VAC	500 mA @ 120 VAC 217 mA @ 277 VAC
Efficacy	145 lm/W	140 lm/W	140 lm/W	130-135 lm/W	125-140 lm/W
Color Temperature	5000K			3000K / 4000K / 5000K	
Beam Angle	60° x 60° (NEMA 4 x 4)				
CRI	80+				
Dimming	yes (0-10 V)				
IP Rating	IP65				
Ambient Operating Temperature	-22°-113° F (-30°-45° C)				
Product Weight	4.25 lb (1.9 kg)	6.5 lb (2.9 kg)	7.25 lb (3.3 kg)	4.1 lb (1.9 kg)	6.2 lb (2.8 kg)
Surge Protection	4 kV (L-N, L/N-GND)	2 kV (L-N) 4 kV (L/N-GND)	6 kV (L-N) 10 kV (L/N-GND)	2.5 kV (L-N, L/N-GND)	2 kV (L-N)
Rated Life (L70)	50,000 hours				

## Photocell Operation

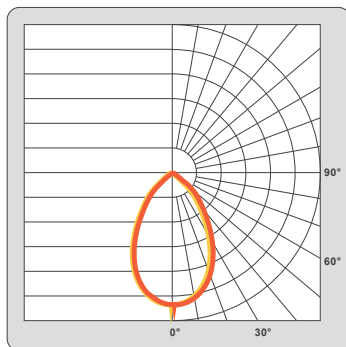
40 W and 25 W lights will turn on when the ambient light level falls below 30 lx and will turn off when the ambient light level exceeds 130 lx. 60 W, 80 W, and 120 W lights will turn on when the ambient light level falls below 15 lx and will turn off when the ambient light level exceeds 45 lx.

## Photometric Data

Full photometric test data is available on SuperBrightLEDS.com

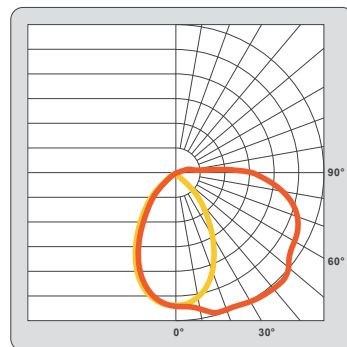
### Standard Beam Angle

(single light head models and dual light head models with both aimed down)



### Rotated Beam Angle

(dual light head models with one aimed down and one rotated upward 60°)



<sup>3</sup>Lumen value varies by CCT on selectable CCT models with 3000K being the lowest end of the range and 4000K and 5000K at the high end.

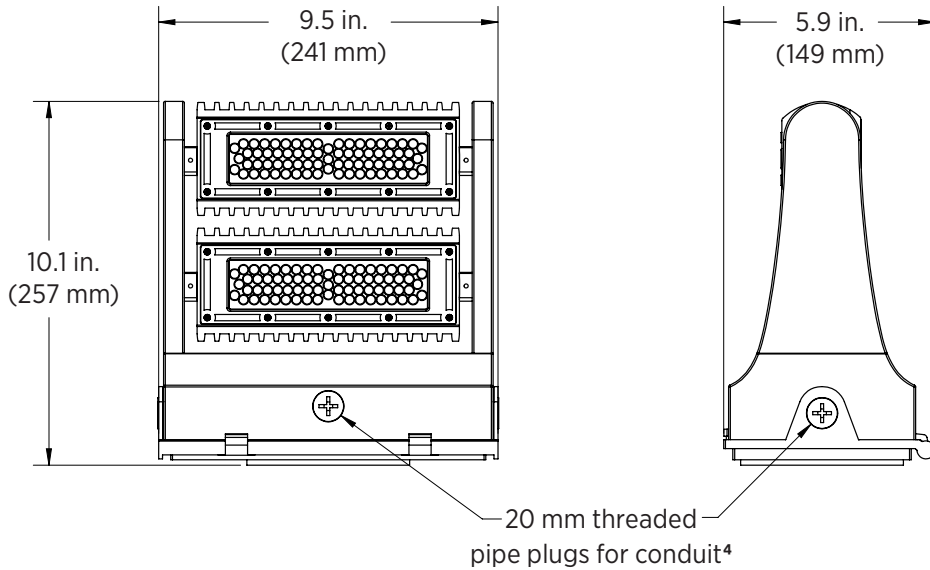


# WPR2 and WPRCCT Series

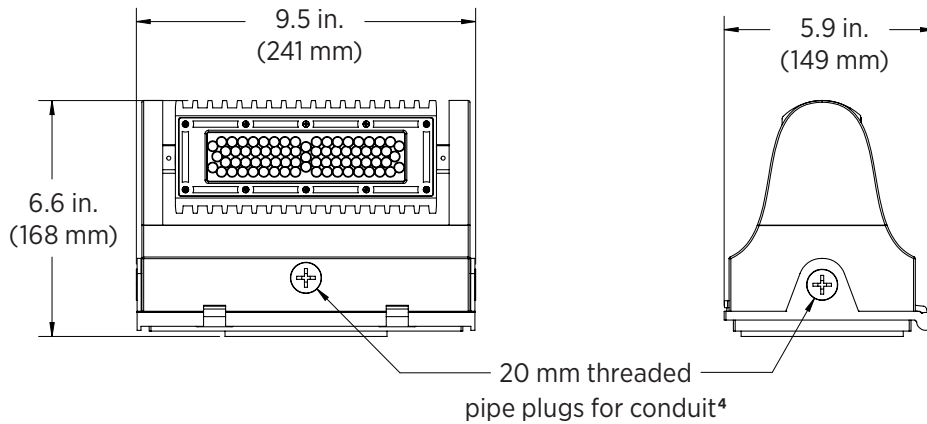
Rotatable LED Wall Pack Specifications

## Dimensions

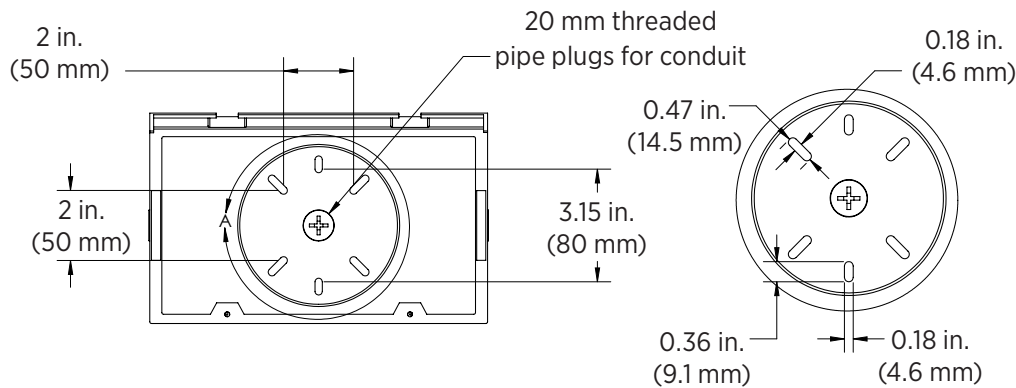
WPR2-50K80-WST1-BRP, WPR2-50K120-FST1-BRP, and WPRCCT-SW3B60-WST1-BRP



WPR2-50K40-HST1-BRP and WPRCCT-SW3B25-HST1-BRP



## All Models



<sup>4</sup>Lum

