



WPG-50K60W-S

**Features**

- 120-277 VAC
- 80+ CRI
- L70 rated 50,000 hour lifetime
- IP65 rated water resistance
- Prismatic borosilicate lens

**Construction**

Manufactured with a durable aluminum housing—offered in brown or white finish—and feature a non-yellowing prismatic borosilicate glass lens.

**Application**

Easily replaces inefficient metal-halide fixtures such as those found in warehouses, parking lots and garages, gas stations, and other commercial and industrial spaces. These are also a great solution for entryways and other areas where good lighting is essential for security.

**Output Equivalencies**

WPG-50K28W-S	70 W metal-halide
WPG-50K40W-S	175 W metal-halide
WPG-50K60W-S	250 W metal-halide
WPG-50K80W-S	400 W metal-halide
WPG-50K100W-S	
WPG-50K120W-S	

**Warranty**

Five (5) Year Warranty

**Available Models<sup>1</sup>**

non-photocell

(photocell available separately, see accessories)

- WPG-50K28W-S
- WPG-50K40W-S
- WPG-50K40W-S (white)
- WPG-50K60W-S
- WPG-50K80W-S
- WPG-50K80W-S (white)
- WPG-50K100W-S
- WPG-50K120W-S
- WPG-50K120W-S (white)

photocell preinstalled

- WPG-50K28W-S (photocell)
- WPG-50K40W-S (photocell)
- WPG-50K60W-S (photocell)
- WPG-50K80W-S (photocell)
- WPG-50K100W-S (photocell)
- WPG-50K120W-S (photocell)

**Part Number Breakdown**

Example: WPG-50K60W-S<sup>2</sup>

Family	Color Temperature	Wattage	Efficacy
WPG	50K [5000K]	28W [28 W]	S [≥100 lm/W]
		40W [40 W]	
		60W [60 W]	
		80W [80 W]	
		100W [100 W]	
		120W [120 W]	

**Optional Accessories**

- Photocell Sensor<sup>3</sup> [JL-423C]
- Glare Shield - Brown [WPG-GS]
- Glare Shield - White [WPG-GS (white)]

**Certifications and Compliances**

These lights are UL Listed in compliance with UL 1598 (IFAM) and are listed as DLC Standard.



<sup>1</sup>Contact customer service if interested in options other than those listed.

<sup>2</sup>Models with brown finish and preinstalled photocell will have **(photocell)** after the standard part number. Models with white finish will have **(white)** after the standard part number.

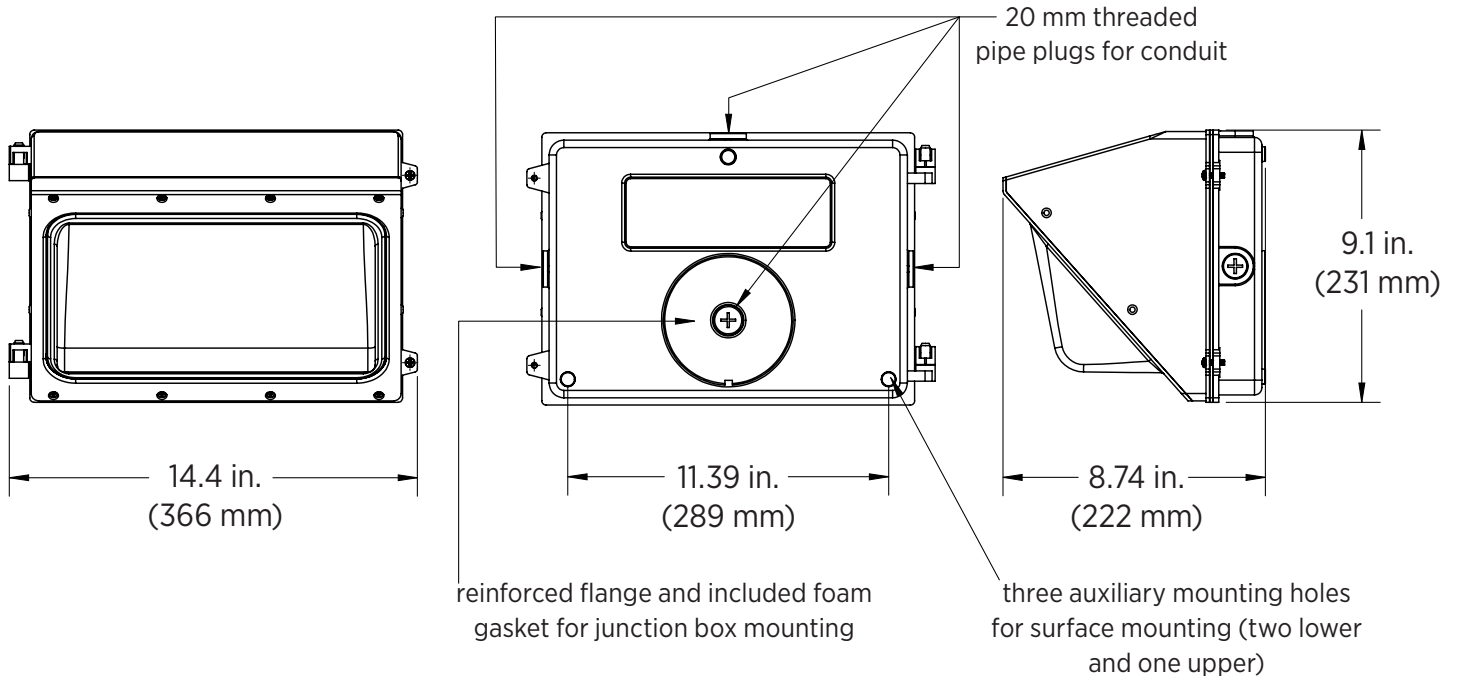
<sup>3</sup>Applicable only to models not originally equipped with photocell sensor.



# WPG Series

LED Wall Pack Specifications

## Dimensional Drawing



## Specifications

Model WPG-	50K28W-S	50K40W-S	50K60W-S	50K80W-S	50K100W-S	50K120W-S
Intensity	2,800 lm	4,000 lm	6,000 lm	8,000 lm	10,000 lm	12,000 lm
Operating Voltage	120-277 VAC					
Power Consumption	28 W	40 W	60 W	80 W	100 W	120 W
Current Draw	0.23 A @120 VAC	0.33 A @120 VAC	0.5 A @120 VAC	0.67 A @120 VAC	0.83 A @120 VAC	1 A @120 VAC
Efficacy	100 lm/W					
Color Temperature	5000K					
Beam Angle	90° x 100° (NEMA 5 x NEMA 6)					
CRI	80+					
Dimming	0-10 V					
IP Rating	IP65					
Ambient Operating Temperature	-4°-104° F (-20°-40° C)					
Product Weight	7.6 lb (3.45 kg)					
Rated Life (L70)	50,000 hours					

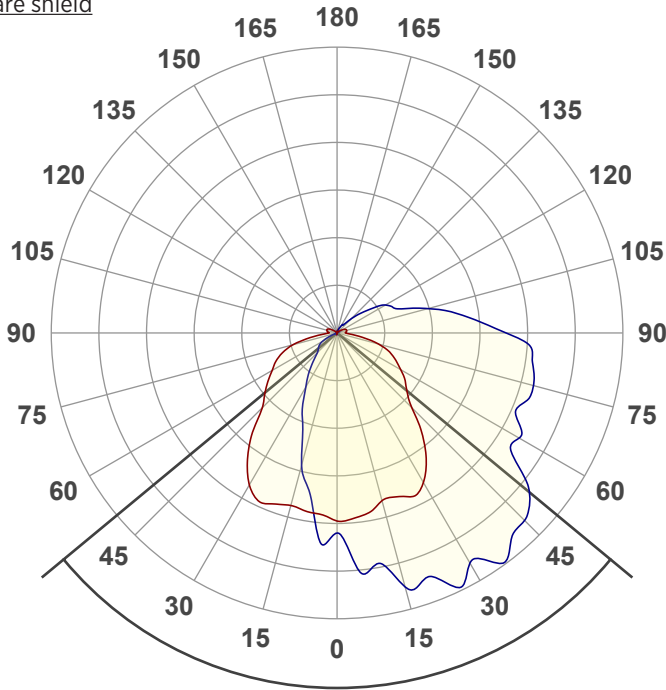


## WPG Series

LED Wall Pack Specifications

### Photometrics - Beam Angle

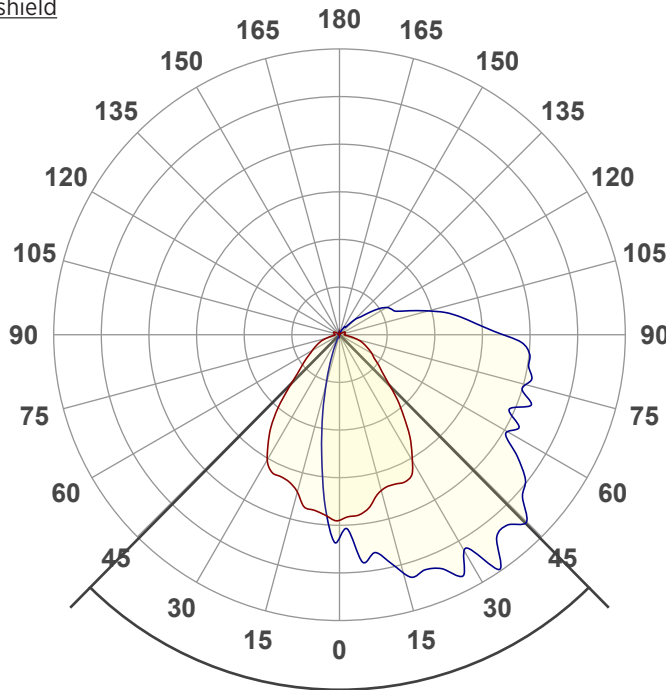
WPG without glare shield



**100.7°**

Beam angle is representative of all WPG models. Additional model-specific photometric data available on site or upon request.

WPG with glare shield



**89.2°**

