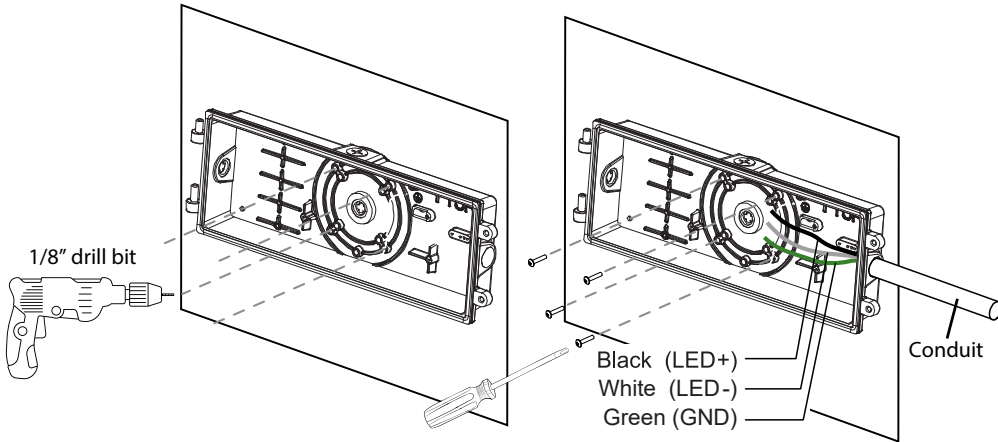


Important: Read all instructions prior to installation.

Full-Cutoff LED Wall Pack

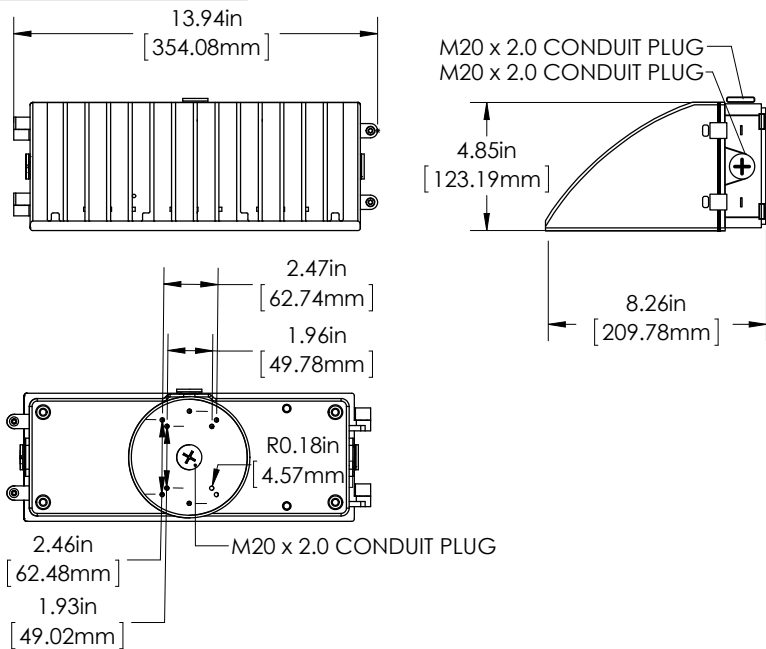
Installation: Mounting to Wall/Conduit

Important: Illustrations are also representative of photocell models.



Dimensional Drawings

Important: Illustrations are also representative of photocell models.



Full-Cutoff LED Wallpack

User Manual

WPFC Series



Important: Read all instructions prior to installation.

Full-Cutoff LED Wall Pack

WPFC Series

Specifications

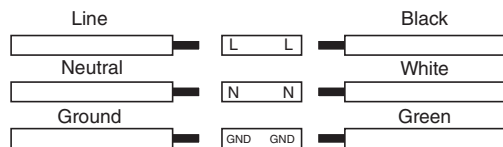
Model	WPFC-xK60	WPFC-xK90
Voltage	100-277 VAC	
Wattage	60 W	90 W
Beam Angle	45°	
Operating Temperature	-40-113° F (-40-45° C)	
IP Rating	IP65	
Dimming	not dimmable	
Warranty	5 years	

Note: Photocell equipped models will turn fixture on when ambient light drops below 16 lux. Fixture will turn back off when ambient light exceeds 24 lux.

Included Parts

- 1 - LED Wallpack
- 3 - Wire Nuts

Wire Diagram

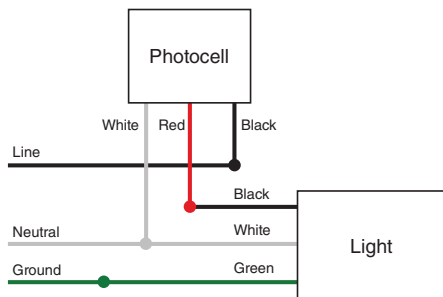


Safety Notes

- Product should be installed and serviced by a certified electrician in accordance with applicable national, state, and local building and electrical codes.
- To reduce the risk of electric shock, ensure that the main power source and circuit breakers are switched off before performing any installation or wiring procedures.
- Avoid looking directly into lamp when illuminated.
- Ensure all mounts are securely attached and will support the weight of the fixture. Failure to properly support fixture may result in damage or injury, for which the manufacturer does not assume responsibility.

Photocell Installation

Photocell can be installed into any available conduit hole. Wire according to wiring diagram.



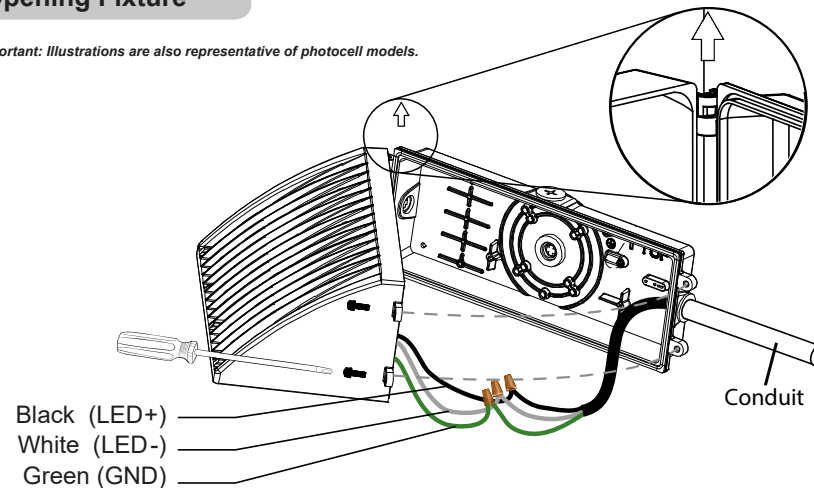
Important: Read all instructions prior to installation.

Full-Cutoff LED Wall Pack

WPFC Series

Opening Fixture

Important: Illustrations are also representative of photocell models.



Installation: Mounting to J-box

Important: Illustrations are also representative of photocell models.

