



# Wall Pack Series

## LED High Power Wall Pack

### LED Wall Pack

With powerful LEDs and high lumen outputs, our wall packs are great for security lighting, warehouse lighting, indoor stadium lighting, and gas station lighting. LED wall packs consume significantly less power than HID fixtures and have life expectancies that are twice as long—greatly reducing costly repairs and the need for replacements. All models are weatherproof and are available with life-extending photocontrol sensors.

### Specifications

WPFC-NW70	
Intensity	7400 lumen
Replacement For	250 Watt HID
Total Power Consumption	70 Watts
Operating Voltage Range	120-277 VAC
Beam Angle	60 / 90 degree
Comparable MH Wattage	331 Watts
Number of LEDs	84 LEDs
Color Temperature	4000K
CRI	>80
IP Rating	IP65
Warranty	5 year

### Ordering Information

LED Product	Color Temperature	Wattage
WPFC - Wall Pack Full-cutoff	NW - Natural White	70 - 70 watts

LED Product Accessory
TORK-3000 - Photo Control 120 VAC
TORK-3002 - Photo Control 208-277 VAC

TORK-3000



TORK-3002



Project Name \_\_\_\_\_

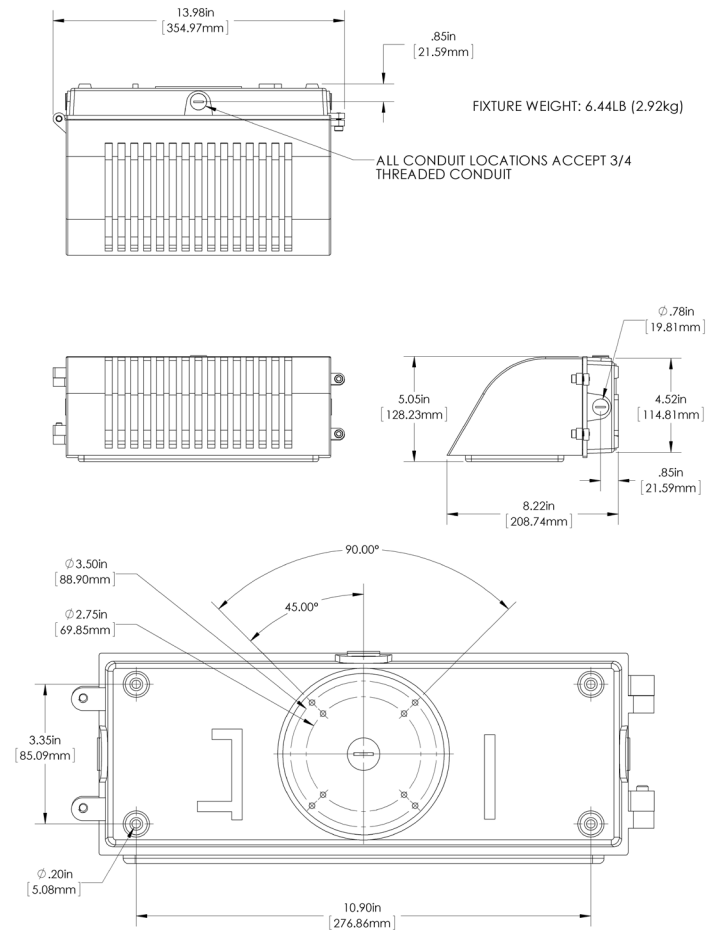
Date \_\_\_\_\_

Type \_\_\_\_\_

WPFC-NW70



### Dimensional Drawing



Rev Date: V1 04/19/2017

**superbrightleds.com**

US: <https://www.superbrightleds.com/cat/led-wall-pack-lighting/>

commercial-sales@superbrightleds.com

T 314.743.3067