



Wall Pack Series

LED High Power Wall Pack

LED Wall Pack

With powerful LEDs and high lumen outputs, our wall packs are great for security lighting, warehouse lighting, indoor stadium lighting, and gas station lighting. LED wall packs consume significantly less power than HID fixtures and have life expectancies that are twice as long—greatly reducing costly repairs and the need for replacements. All models are weatherproof and are available with life-extending photocontrol sensors.

Specifications

WPFC-CW70	
Intensity	7200 lumen
Replacement For	250 Watt HID
Total Power Consumption	70 Watts
Operating Voltage Range	100-277 VAC
Beam Angle	60 / 90 degree
Comparable MH Wattage	331 Watts
Number of LEDs	84 LEDs
Color Temperature	5000K
CRI	80
IP Rating	IP65
Warranty	5 year

Ordering Information

LED Product	Color Temperature	Wattage
WPFC - Wall Pack Full-cutoff	CW - Cool White	70 - 70 watts

LED Product Accessory
TORK-3000 - Photo Control 120 VAC
TORK-3002 - Photo Control 208-277 VAC

TORK-3000



TORK-3002



Project Name _____

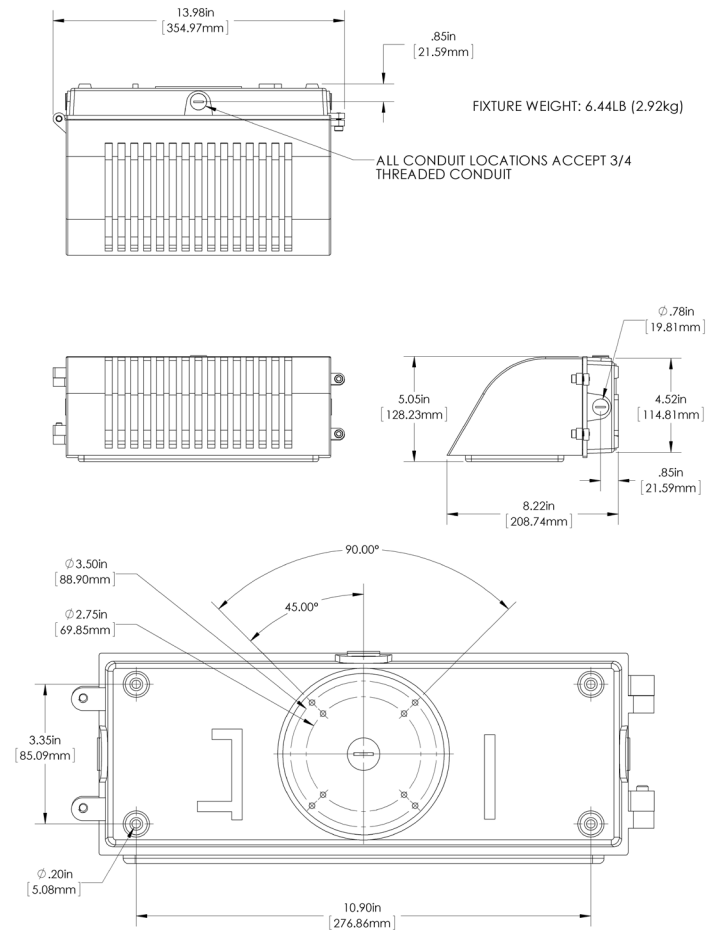
Date _____

Type _____

WPFC-CW70



Dimensional Drawing



Rev Date: V1 04/08/2016

superbrightleds.com

US: <https://www.superbrightleds.com/cat/led-wall-pack-lighting/>

commercial-sales@superbrightleds.com

T 314.743.3067