

WP3 Series

LED Wall Pack Specifications

Project _____

Date _____ Type _____



Available Models¹

4000K

- WP3-40K40P-BABRSP
- WP3-40K60P-BABRSP
- WP3-40K80P-BABRSP
- WP3-40K100P-BABRSP
- WP3-40K120P-BABRSP

5000K

- WP3-50K40P-BABRSP
- WP3-50K60P-BABRSP
- WP3-50K80P-BABRSP
- WP3-50K100P-BABRSP
- WP3-50K120P-BABRSP



Part Number Breakdown

Example: WP3-40K80P-BABRSP

Family	Color Temperature	Wattage	Photocell	Driver Manufacturer	LED Manufacturer	Finish	LED Type	Lens Type
WP3	40K [4000K] or 50K [5000K]	40 [40 W]	P [pre-installed photocell]	B [Becky]	A [Lumileds]	BR [bronze]	S [single CCT]	P [polycarbonate]
		60 [60 W]						
		80 [80 W]						
		100 [100 W]						
		120 [120 W]						

Description

WP3 series LED wall packs are designed to be a durable and maintenance-free fixture. Constructed using bronze powder-coated aluminum housing and polycarbonate lens, the wall pack is rated IP65 for outdoor installations. Use integrated bypassable photocell for dusk-to-dawn operation or easily bypass. Wide beam distribution is ideal for parking lots, building exteriors, and warehouses.

Mechanical

- Bronze powder-coated aluminum housing
- Impact-resistant polycarbonate lens
- Operating temperature of -40°-122° F (-40°-50° C)
- IP65 environmental rating

Electrical

- 120-277 VAC input
- 0-10 V dimmable
- Built-in surge protection

Photometrics

- 105° beam angle
- 5000K or 4000K CCT available
- 140+ lm/W efficacy

Application

Easily replaces inefficient metal-halide fixtures such as those found in warehouses, parking lots and garages, gas stations, and other commercial and industrial spaces. These are also a great solution for entryways and other areas where good lighting is essential for security.

Certifications and Compliances

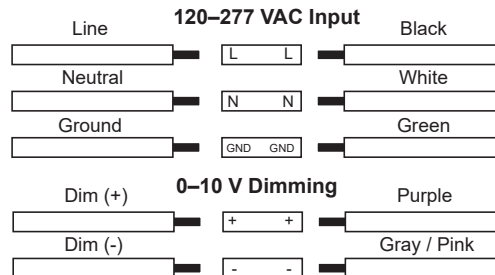
These lights are Certified by UL in compliance with UL 1598 (IFAM) and are listed by DesignLights Consortium as DLC 5.1 Premium.



Warranty

Five (5) year warranty

Wiring Diagram



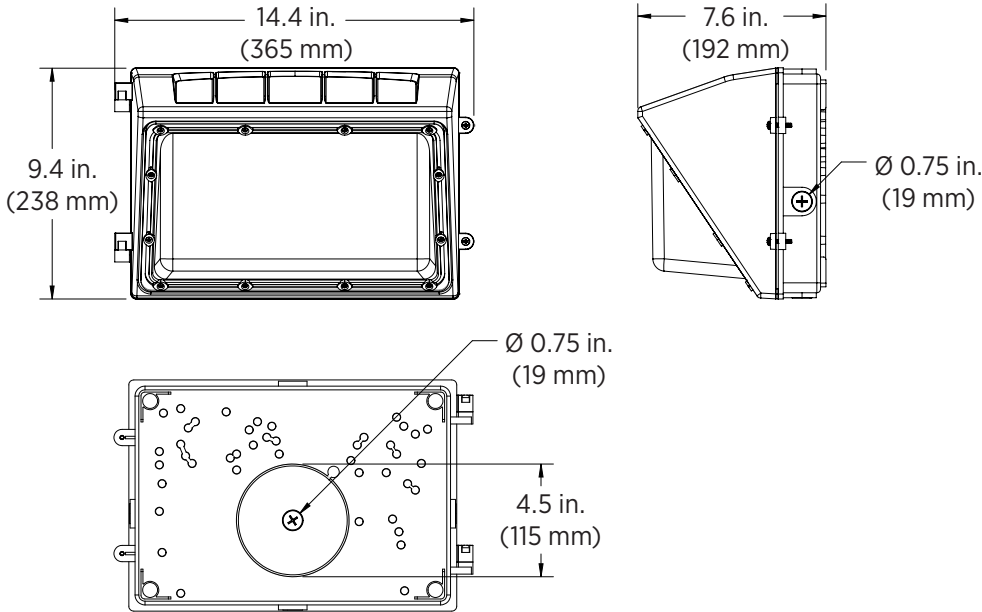
¹Contact customer service if interested in options other than those listed.



WP3 Series

LED Wall Pack Specifications

Dimensional Drawing



Specifications

Model WP3-	x40P-BABRSP	x60P-BABRSP	x80P-BABRSP	x100P-BABRSP	x120P-BABRSP
Intensity	6,000 lm	9,000 lm	12,000 lm	15,000 lm	16,800 lm
Operating Voltage	120-277 VAC				
Power Consumption	40 W	60 W	80 W	100 W	120 W
Current Draw	333 mA @ 120 VAC 144 mA @ 277 VAC	500 mA @ 120 VAC 217 mA @ 277 VAC	667 mA @ 120 VAC 289 mA @ 277 VAC	833 mA @ 120 VAC 361 mA @ 277 VAC	1 A @ 120 VAC 433 mA @ 277 VAC
Efficacy	150 lm/W	150 lm/W	150 lm/W	150 lm/W	140 lm/W
Color Temperature	4000K or 5000K (as ordered)				
Beam Angle	110°				
CRI	80+				
Dimming	yes (0-10 V)				
IP Rating	IP65				
Ambient Operating Temperature	-40°-122° F (-40°-50° C)				
Surge Protection	4 kV (L-N), 6 kV (L/N-G)				
Rated Life (L70)	50,000 hours				
Power Factor	≥0.9				
Photocell	turns on when ambient light drops below 30 lx and turns back off when ambient light rises back above 60 lx				