

WP2 Series

LED Wall Pack Specifications

Project _____

Date _____ Type _____



WP2-xK40-LBRS

Features

- 100-277 VAC
- 80+ CRI
- L70 rated 50,000 hour lifetime
- IP65 rated water resistance
- Built-in photocell sensor

Construction

Manufactured with a durable aluminum housing and polycarbonate lens.

Application

Easily replaces inefficient metal-halide fixtures such as those found in warehouses, parking lots and garages, gas stations, and other commercial and industrial spaces. These are also a great solution for entryways and other areas where good lighting is essential for security.

Output Equivalencies

WP2-xK40-LBRS	175 W metal-halide
WP2-xK60-LBRS	250 W metal-halide
WP2-xK80-LBRS	400 W metal-halide
WP2-xK100-LBRS	
WP2-xK120-LBRS	

Warranty

Five (5) Year Warranty

Certifications and Compliances

These lights are UL Listed in compliance with UL 1598 (IFAM). 4000K and 5000K models are listed as DLC Premium, 3000K models are listed as DLC Standard.



T 314.743.3067

F 314.972.6202

email: commercial-sales@superbrightleds.com

www.superbrightleds.com/cat/industrial-led-lighting/

Available Models¹

3000K

- WP2-30K40-LBRS
- WP2-30K60-LBRS
- WP2-30K80-LBRS
- WP2-30K80-LBRS
- WP2-30K120-LBRS

5000K

- WP2-50K40-LBRS
- WP2-50K60-LBRS
- WP2-50K80-LBRS
- WP2-50K100-LBRS
- WP2-50K120-LBRS

4000K

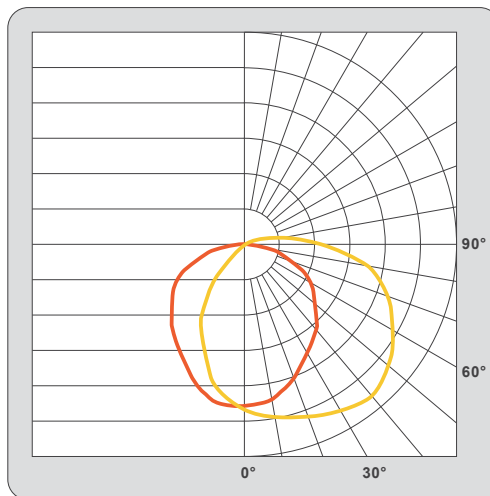
- WP2-40K40-LBRS
- WP2-40K60-LBRS
- WP2-40K80-LBRS
- WP2-40K80-LBRS
- WP2-40K120-LBRS

Part Number Breakdown

Example: WP2-40K120-LBRS

Family	Color Temperature	Wattage	Finish	Built-in Options
WP2	30K [3000K] 40K [4000K] or 50K [5000K]	40W [40 W]	LBR [brown, PMS 412C]	S [photocell]
		60W [60 W]		
		80W [80 W]		
		100W [100 W]		
		120W [120 W]		

Photometrics - Beam Angle



Additional model-specific photometric data available on site or upon request.

¹Contact customer service if interested in options other than those listed.

Rev V2 Date: 1/17/2020

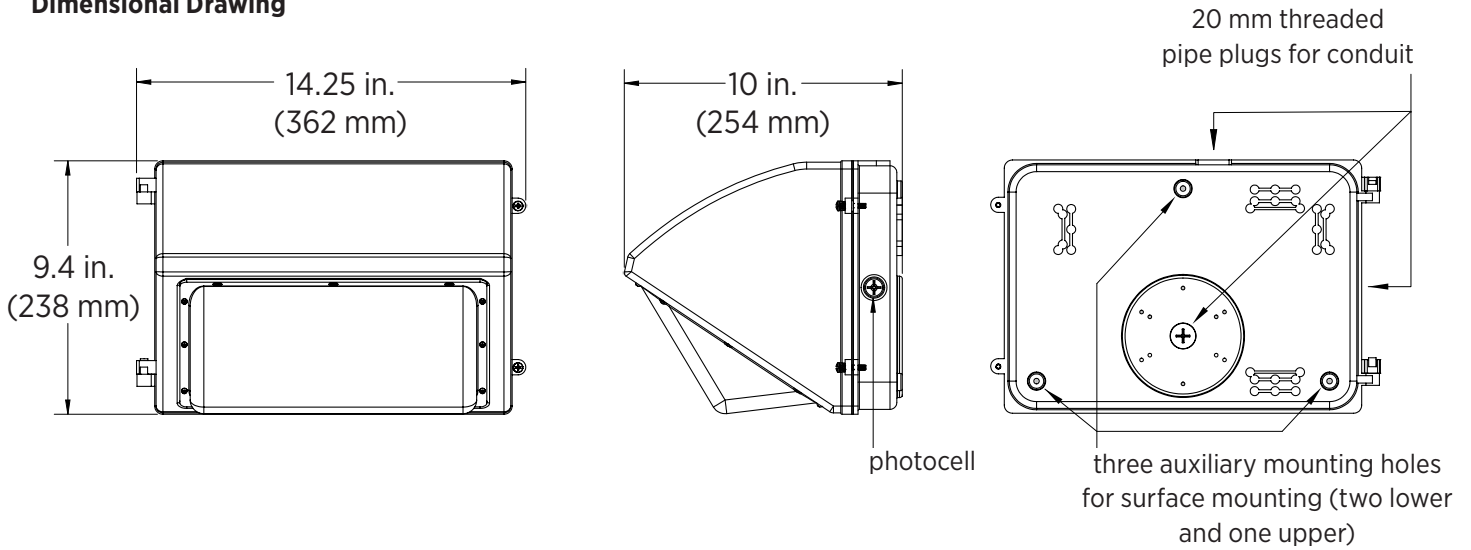
Specifications are subject to change without notice.

Printed in the U.S.A.

WP2 Series

LED Wall Pack Specifications

Dimensional Drawing



Specifications

Model	WP2-xK40-LBRS	WP2-xK60-LBRS	WP2-xK80-LBRS	WP2-xK100-LBRS	WP2-xK120-LBRS
Intensity ²	4,850-5,000 lm	7,200-7,500 lm	9,600-10,000 lm	12,300-13,000 lm	14,700-16,000 lm
Operating Voltage	100-277 VAC				
Power Consumption	40 W	60 W	80 W	100 W	120 W
Current Draw	0.33 A @120 VAC	0.5 A @120 VAC	0.67 A @120 VAC	0.83 A @120 VAC	1 A @120 VAC
Efficacy	125 lm/W			130 lm/W	133 lm/W
Color Temperature	3000K, 4000K, or 5000K (as ordered)				
Beam Angle	110° x 120° (NEMA 6 x 6)				
CRI	80+				
Dimming	no				
Photocell Operation	Light turns on when the ambient light level falls below 25 lx and will turn off when the ambient light level exceeds 130 lx.				
IP Rating	IP65				
Ambient Operating Temperature	-4°-113° F (-20°-45° C)				
Product Weight	8.9 lb (4 kg)				
Rated Life (L70)	50,000 hours				

Notes

²Lumen value varies by CCT with 3000K being the lowest end of the range and 4000K and 5000K at the high end.

