

Important: Read all instructions prior to installation.

LED Flood Light

Safety and Notes

- Product should be installed and serviced in accordance with applicable national, state, and local building and electrical codes.
- To reduce the risk of electric shock, ensure that the main power source and circuit breakers are switched off before performing any installation or wiring procedures.
- Avoid looking directly into lamp when illuminated.
- Ensure all mounts are securely attached and will support the weight of the fixture. Failure to properly support fixture may result in damage or injury, for which the manufacturer does not assume responsibility.

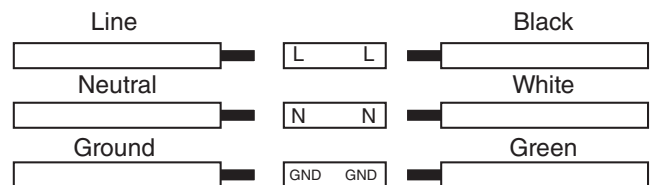


AFL-50K50-110-U

Specifications

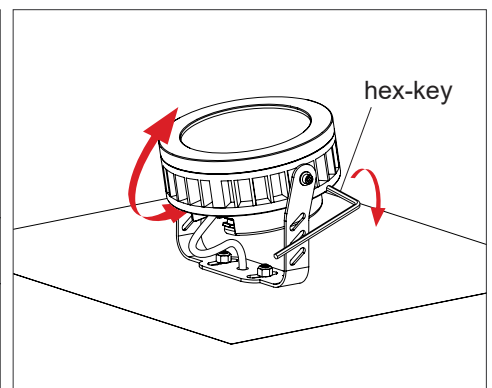
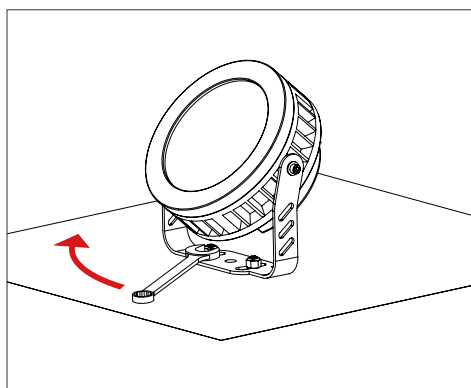
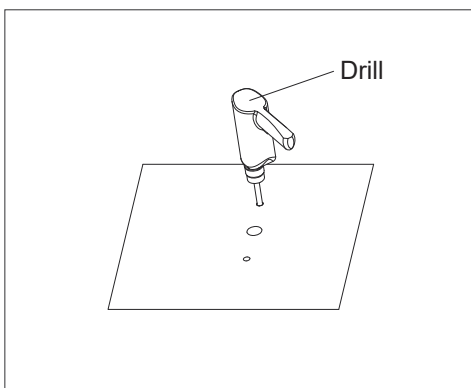
Model	WN-FL01-RD01
Operating Voltage Range	100–277 VAC
Total Power Consumption	18 W
Current Draw	0.15 A@120 VAC
Beam Angle	NEMA 2x2 (20°x20°)
Operating Temperature	-40°–122° F (-40°–50° C)
Environmental Rating	IP65
Dimmable	No

Wiring Diagram



Installation Instructions (U-bracket/Yoke Mount)

1. Drill holes for mounting and wiring as needed.
2. Securely attach light to surface and connect wiring.
3. Apply power and rotate light head to desired angle.



Important: Read all instructions prior to installation.

Knuckle-mount LED Flood Light Fixture

Dimensional Drawings

