

Important: Read all instructions prior to installation.

Weatherproof Single Color LED Strip Kit

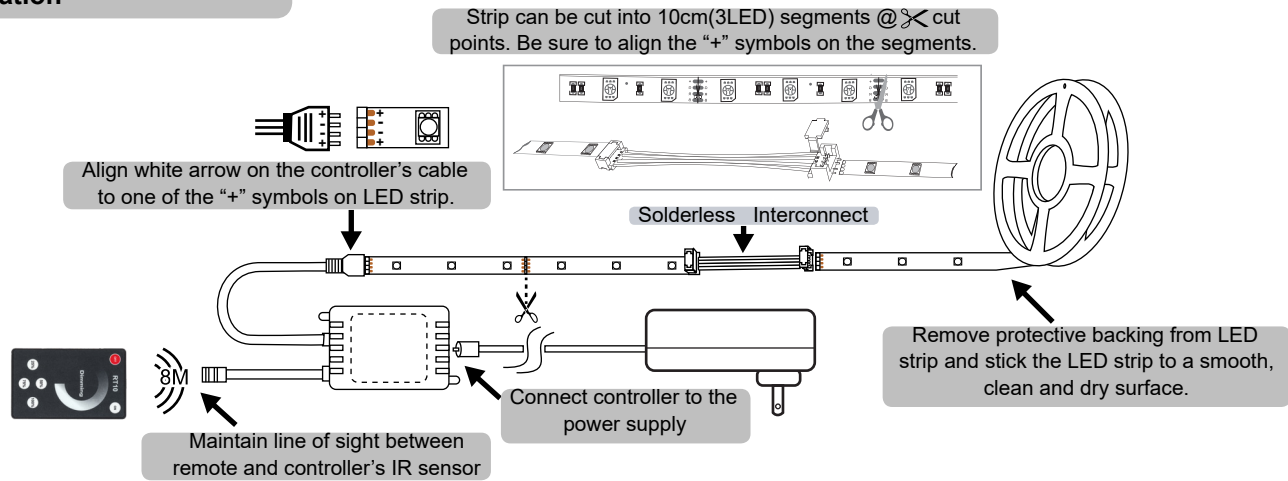
Parts Included

- 1 - 5m Flexible Light Strip
- 1 - IR Controller
- 1 - IR Remote
- 1 - Power Supply
- 4 - Solderless Interconnect
- 1 - Double Sided Tape
- 2 - Mounting Screw
- 1 - User Manual

General

Operating Temperature Range	-20~50°C
Strip/Controller Certifications	CE / RoHS
Power Supply Certifications	UL / CE / RoHS
LED Lifetime	50,000 Hours
Warranty	2 Years

Installation



Strip

Dimensions	500cm(196.85")L x 1cm(0.39")W x .25cm(.09")D
Section Length	10cm(3.94")
Input Voltage	9-14.8VDC
Number of LEDs	150
LED Type	5050
Signal Type	PWM
IP Rating	IP65

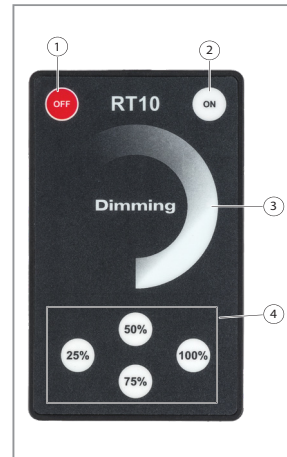
Controller

Dimensions	5cm(1.96")L x 3.5cm(1.375")W x H2.25cm(0.89")D
Input Voltage	12VDC
Rated Current	5A x 1CH Max
Wattage	60W Max
IP Rating	IP20

Power Supply

Dimensions	8.96cm(3.53")L x 4.5cm(1.775")W x 4.31cm(1.7")D
Input Voltage	100-240VAC
Input Frequency	50-60Hz
Output Voltage	12VDC
Output Current	2A Max
Wattage	24W Max

Remote



Dimensions	8.5cm(3.34")L x 5.2cm(2.04")W x 0.7cm (0.27")D
Battery Type	CR2032 x 2
Maximum Range	30Ft

Button	Function
(1)	Switches the LED strips off.
(2)	Switches the LED strips on.
(3)	Use the ring to set the brightness
(4)	Preset brightness controls

