

Part Number:

**VTWJ-xW20,  
VTPJ-xW20,  
VTCJ-xW20**

**Important: Read all instructions prior to installation.**

### Jelly Jar Vapor Proof Lights

#### Warnings

- To avoid the risk of fire, explosion, or electric shock, this product should be installed by a qualified electrician only, in accordance with all applicable electrical codes.
- Be certain electrical power is OFF before and during the installation
- Make sure the supply voltage is the same as the rated luminaire voltage.
- Do not operate in ambient temperatures above those indicated in spec table
- Do not use with dimmer



VTWJ-xW20

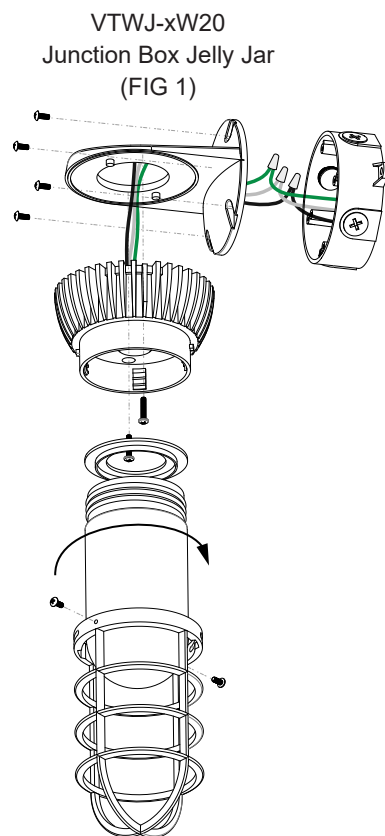


VTPJ-xW20



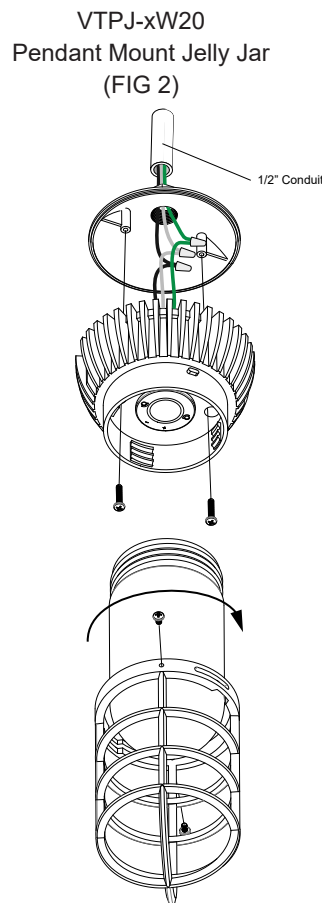
VTCJ-xW20

#### Installation Instructions



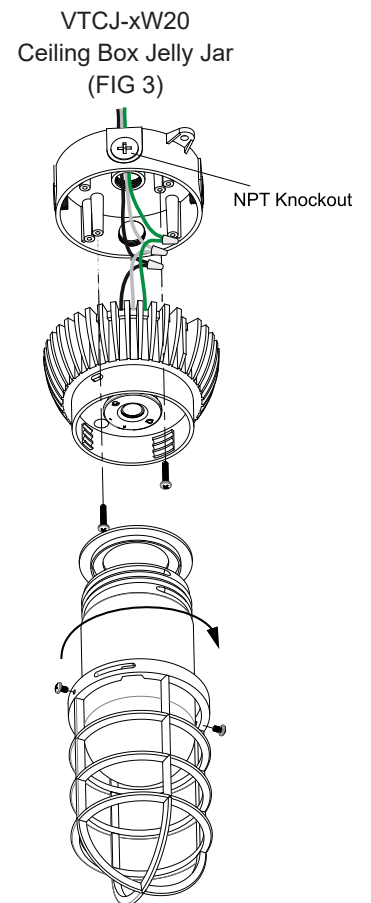
#### Ceiling Mount (Junction Box flush in ceiling)

In order to remove luminaire's junction box, first remove the guard, glass, and heat sink. Make wire connections.



#### Pendant Mount

In order to access luminaire's junction plate, first remove the guard, glass, and heat sink. Thread 1/2" conduit into top of fixture. Make wire connections.



#### Wall Mount

In order to remove luminaire's junction box, first remove the guard, glass, and heat sink. Make wire connections.



Rev Date: V1.1 04/25/2017

4400 Earth City Expy, St. Louis, MO 63045

• 866-590-3533

• [superbrightleds.com](http://superbrightleds.com)