

Important: Read all instructions prior to installation.

Vapor-Proof LED Jelly Jar Light



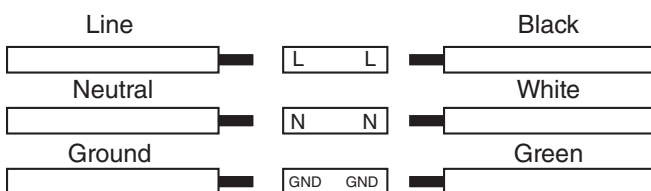
Specifications

Total Power Consumption	30 watts
Operating Voltage Range	100–277 VAC
Operating Temperature	-40°–113° F (-40°–45° C)
IP Rating	IP65
Dimmable	no
Conduit Thread	20 mm

Safety and Notes

- Product should be installed by a certified electrician in accordance with applicable national, state, and local building and electrical codes.
- To reduce risk of electric shock, ensure main power source and circuit breakers are switched off before performing any installation or wiring procedures.
- Ensure all mounts are securely attached and will support weight of fixture. Failure to properly support fixture may result in damage or injury, for which the manufacturer does not assume responsibility.

Wiring Diagram



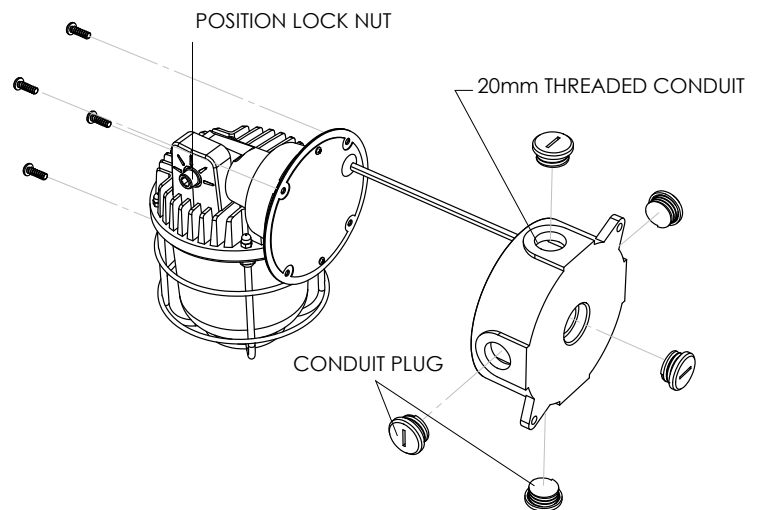
Installation Instructions

Surface Mount

1. Remove junction box section.
2. Make appropriate holes for mounting and wiring.
3. Apply silicone compound (WFLS-GL1OZ or equivalent) to back of junction box section and attach to surface.
4. Connect wires according to wiring diagram.
5. Reattach fixture to junction box section.
6. Loosen position nut to adjust angle. Re-tighten nut to lock in place.

Conduit Mounting

1. Remove junction box section.
2. Remove 20 mm plug from intended direction of conduit feed. Apply silicone compound (WFLS-GL1OZ or equivalent) to back of junction box section and attach to wall.
3. Feed conduit into junction box. Apply silicone compound (WFLS-GL1OZ or equivalent) to areas where conduit and junction box meet to create seal.
4. Connect wires according to wiring diagram.
5. Reattach fixture to junction box section.
6. Loosen position nut to adjust angle. Re-tighten nut to lock in place.



Important: Read all instructions prior to installation.

Vapor-Proof LED Jelly Jar Light

Dimensional Drawings

