

## VTAJ2 Series

LED Vapor Tight Jelly Jar Specifications

Project \_\_\_\_\_

Date \_\_\_\_\_ Type \_\_\_\_\_



VTAJ2-50K30W-SFWG



### Features

- 120–277 VAC
- L70 rated 50,000 hour lifetime
- IP65 rated water resistance
- 90°–180° adjustable for wall or ceiling mounting

### Construction

Manufactured with a durable aluminum housing and polycarbonate lens.

### Application

Easily replaces inefficient metal-halide fixtures such as those found in warehouses, barns, tunnels, factories, food processing plants, and other commercial and industrial spaces.

### Output Equivalency

VTAJ2-50K30W-SFWG	100 W metal-halide
-------------------	--------------------

### Specifications

Model	VTAJ2-50K30W-SFWG
Intensity	3,750 lm
Operating Voltage	100–277 VAC
Power Consumption	30 W
Current Draw	0.25 A @120 VAC
Efficacy	125 lm/W
Color Temperature	5000K
Beam Angle	260°
CRI	70+
Dimming	no
IP Rating	IP65
Ambient Operating Temperature	-40°–113° F (-40°–45° C)
Product Weight	3 lb (1.4 kg)
Rated Life (L70)	50,000 hours

### Available Models<sup>1</sup>

- VTAJ2-50K30W-SFWG

### Part Number Breakdown

Example: VTAJ2-50K30W-SFWG

Family	Color Temperature	Wattage	LED Chip Type	Lens Type	Built-in Options
VTAJ2	50K [5000K]	30W [30 W]	S [SMD]	F [frosted]	WG [wire guard]

### Warranty

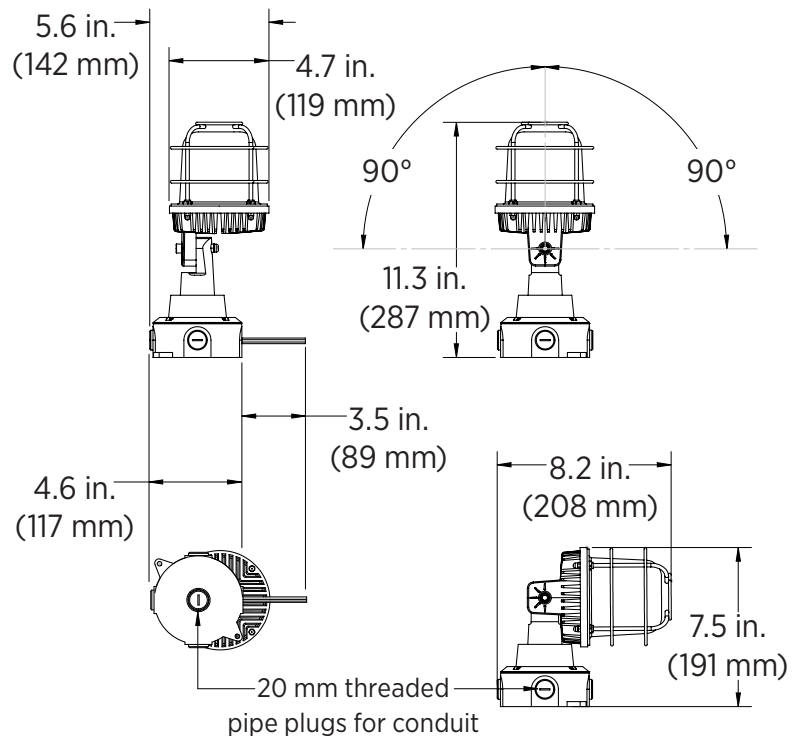
Five (5) Year Warranty

### Certifications and Compliances

These lights are ETL Listed in compliance with UL 1598 (IFAM).



### Dimensional Drawings



<sup>1</sup>Contact customer service if interested in options other than those listed.

