

UHBD Series

LED UFO High Bay Light Specifications

Project _____

Date _____ Type _____



UHBD-50K200CH-110 (black)

Features

- 100–277 VAC
- 80+ CRI
- L70 rated 50,000 hour lifetime
- IP65 rated water resistance

Construction

Manufactured with a durable aluminum housing—offered in black or white finish—and feature a shatter-resistant glass lens.

Application

Easily replaces inefficient metal-halide fixtures such as those found in warehouses, workshops, supermarkets, factories, gyms, general retail locations, and other areas where a high bay lighting solution is required.

Output Equivalencies

UHBD-xK100AH-110	250 W metal-halide
UHBD-xK150BH-110	400 W metal-halide
UHBD-xK200CH-110	750 W metal-halide
UHBD-xK240CH-110	1,000 W metal-halide

Warranty

Five (5) Year Warranty

Certifications and Compliances

These lights are UL Listed in compliance with UL 1598 (IFAM) and are listed as DLC Premium.



T 314.743.3067

F 314.972.6202

email: commercial-sales@superbrightleds.com

www.superbrightleds.com/cat/industrial-led-lighting/

Available Models¹

5000K

- | | |
|--|--|
| <input type="checkbox"/> UHBD-50K100AH-110 (black) | <input type="checkbox"/> UHBD-50K200CH-110 (black) |
| <input type="checkbox"/> UHBD-50K100AH-110 (white) | <input type="checkbox"/> UHBD-50K200CH-110 (white) |
| <input type="checkbox"/> UHBD-50K150BH-110 (black) | <input type="checkbox"/> UHBD-50K240CH-110 (black) |
| <input type="checkbox"/> UHBD-50K150BH-110 (white) | <input type="checkbox"/> UHBD-50K240CH-110 (white) |

4000K

- | | |
|--|--|
| <input type="checkbox"/> UHBD-40K100AH-110 (black) | <input type="checkbox"/> UHBD-50K200CH-110 (black) |
| <input type="checkbox"/> UHBD-40K150BH-110 (black) | <input type="checkbox"/> UHBD-50K240CH-110 (black) |


Part Number Breakdown

Example: UHBD-50K200CH-110


Family	Color Temperature	Wattage	Efficacy	Beam Angle
UHBD	40K [4000K] or 50K [5000K]	100A [100 W]	H \geq 130 lm/W]	110 [110°]
		150B [150 W]		
		200C [200 W]		
		240C [240 W]		

Optional Accessories


Steel Wire Guard

- | | |
|---|---|
| <input type="checkbox"/> UHBD-WG100 (UHBD-xK100AH-110) |  |
| <input type="checkbox"/> UHBD-WG150 (UHBD-xK150BH-110) | |
| <input type="checkbox"/> UHBD-WG200 (UHBD-xK200BH-110/UHBD-xK240BH-110) | |


Aluminum Reflector

- | | |
|---|---|
| <input type="checkbox"/> UHBD-BB100 (UHBD-xK100AH-110) |  |
| <input type="checkbox"/> UHBD-BB150 (UHBD-xK150BH-110) | |
| <input type="checkbox"/> UHBD-BB200 (UHBD-xK200BH-110/UHBD-xK240BH-110) | |

Polycarbonate Reflector

- | | |
|---|---|
| <input type="checkbox"/> UHBD-PR100 (UHBD-xK100AH-110) |  |
| <input type="checkbox"/> UHBD-PR150 (UHBD-xK150BH-110) | |
| <input type="checkbox"/> UHBD-PR200 (UHBD-xK200BH-110/UHBD-xK240BH-110) | |

Microwave Motion Sensors (all models)

- | | |
|--|---|
| <input type="checkbox"/> MC054V RC B-054-B (Fixed Surface Mount) |  |
| <input type="checkbox"/> MC054V RC B-054-C (Adjustable Mount) | |
| <input type="checkbox"/> MC054V RC D (Knockout Mount) | |
| <input type="checkbox"/> MC054V RC B-054-A (Reflector Mount for Optional Reflectors) | |

¹Contact customer service if interested in options other than those listed.

Rev V1 Date: 10/09/2019

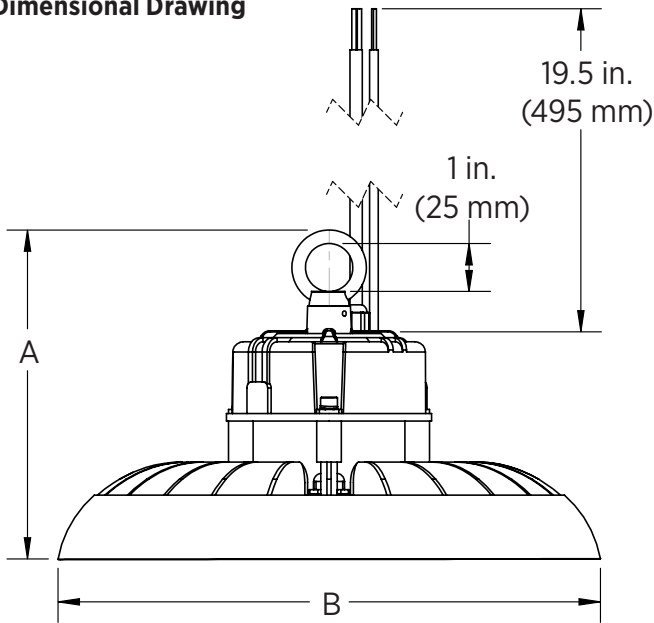
Specifications are subject to change without notice.

Printed in the U.S.A.

UHBD Series

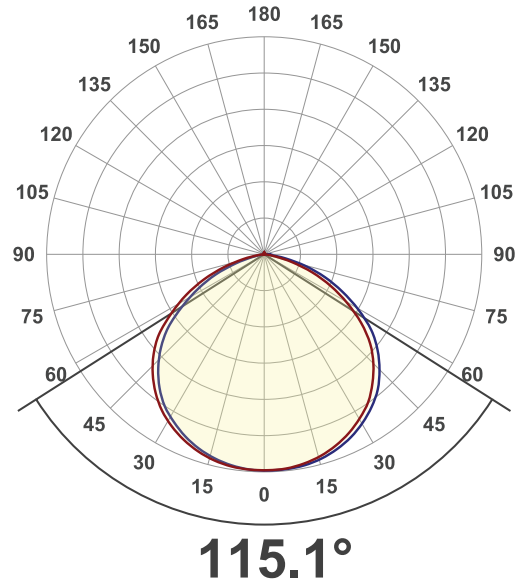
LED UFO High Bay Light Specifications

Dimensional Drawing



Model	Height (A)	Width (B)
UHBD-xK100AH-110	7.25in (184 mm)	10.75 in. (273 mm)
UHBD-xK150BH-110	8.125 in (207 mm)	13 in. (330 mm)
UHBD-xK200BH-110	8.3 in. (211 mm)	15 in. (381 mm)
UHBD-xK240BH-110		

Photometrics - Beam Angle



Additional model-specific photometric data available on site or upon request.

Mounting Height

Model	Optimal Mounting Height
UHBD-xK100AH-110	15-20 ft (4.5-6.1 m)
UHBD-xK150BH-110	20-25 ft (6.1-7.6 m)
UHBD-xK200BH-110	25-30 ft (7.6-9.1 m)
UHBD-xK240BH-110	30-35 ft (9.1-10.7 m)

Specifications

Model	UHBD-xK100AH-110	UHBD-xK150BH-110	UHBD-xK200CH-110	UHBD-xK240CH-110
Intensity	13,000 lm	19,500 lm	26,000 lm	32,000 lm
Operating Voltage	100-277 VAC			
Power Consumption	100 W	150 W	200 W	240 W
Current Draw	0.83 A @120 VAC	1.25 A @120 VAC	1.67 A @120 VAC	2 A @120 VAC
Efficacy	130 lm/W			133 lm/W
Color Temperature	4000K or 5000K (as ordered)			
Beam Angle	110°			
CRI	80+			
Dimming	1-10 V			
IP Rating	IP65			
Ambient Operating Temperature	-4°-122° F (-20°-50° C)			
Product Weight	5.7 lb (2.6 kg)	8.6 lb (3.9 kg)	11.6 lb (5.3 kg)	
Rated Life (L70)	50,000 hours			

