

UHBDT Series

High Temp. LED UFO High Bay Specifications

Project _____

Date _____ Type _____



UHBDT-50K90H1-110

Description

UHBDT series high bay lights are specifically designed to provide reliable illumination in industrial locations with high ceilings and high ambient operating temperatures up to 149° F—such as steel mills, heavy manufacturing plants, and hangars. A superior thermal management system ensures consistent light levels and exceptional efficacy of 155 lm/W in extreme environments.

Optics

- Single-piece, clear, impact-resistant acrylic lens with integrated high-transmission, corrugated optics
- Wide 110° distribution
- Optional clear, prismatic polycarbonate reflector

Mechanical

- Cold-forged, die-cast ADC12 aluminum alloy housing with convection thermal cooling fins
- Specialized thermal management allows operation in ambient temperatures up to 149° F (65° C)
- ≥60,000 hour (L70) rated life at 149° F (65° C)
- Black powder-coated finish provides protection against contaminants and oxidation
- Standard 3/4" NPT steel eyelet mount

Electrical

- 100-277 VAC input voltage range
- 1-10 V dimmable thermally-isolated Sosen driver
- Surge protection designed to withstand up to 4 kV
- 18.5 in. 16/3 AWG power cord and 18.5 in. dimming cord
- ≥155 lm/W—lumen packages from 13,950 to 27,125
- Available in 5000K at 80+ CRI
- ≥0.9 power factor

Available Models¹

- UHBDT-50K90H1-110
- UHBDT-50K135H1-110
- UHBDT-50K175H1-110

Part Number Breakdown

Example: UHBDT-50K90H1-110

Family	Color Temperature	Wattage	Efficacy	Beam Angle
UHBDT	50K [5000K]	90 [90 W]	H1 [155 lm/W]	110 [110°]
		135 [135 W]		
		175 [175 W]		



Optional Accessories

Polycarbonate Reflectors

- UHBDT-PR90 (fits UHBDT-50K90H1-110)
- UHBDT-PR135 (fits UHBDT-50K135H1-110)
- UHBDT-PR175 (fits UHBDT-50K175H1-110)



Application

Easily replaces inefficient metal-halide fixtures such as those found in warehouses, steel mills, manufacturing facilities, foundries, hangars, pulp and paper mills, and other industrial areas where a high temperature high bay lighting solution is required.

Output Equivalencies

UHBDT-50K90H1-110	250 W metal-halide
UHBDT-50K135H1-110	400 W metal-halide
UHBDT-50K175H1-110	750 W metal-halide

Warranty

Five (5) Year Warranty

Certifications and Compliances

These lights are UL Listed in compliance with UL 1598 (IFAM) and are IP65 rated for installation in wet locations. These are also listed as DLC Premium.



T 314.743.3067

F 314.972.6202

email: commercial-sales@superbrightleds.com

www.superbrightleds.com/cat/industrial-led-lighting/

¹Contact customer service if interested in options other than those listed.

Rev V1 Date: 9/14/2020

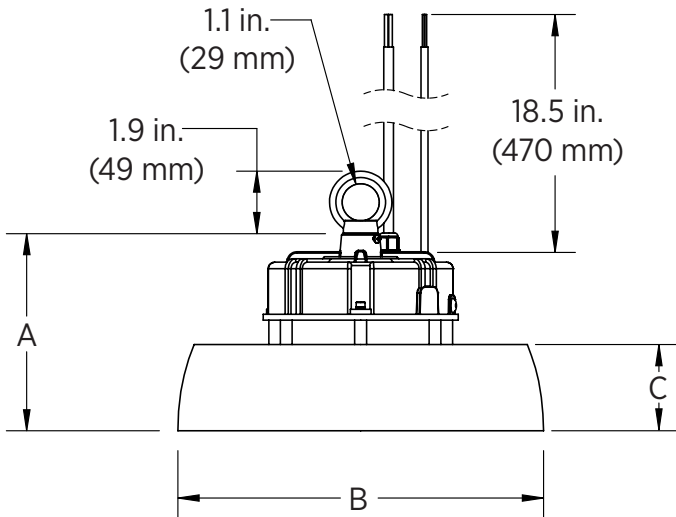
Specifications are subject to change without notice.

Printed in the U.S.A.

UHBDT Series

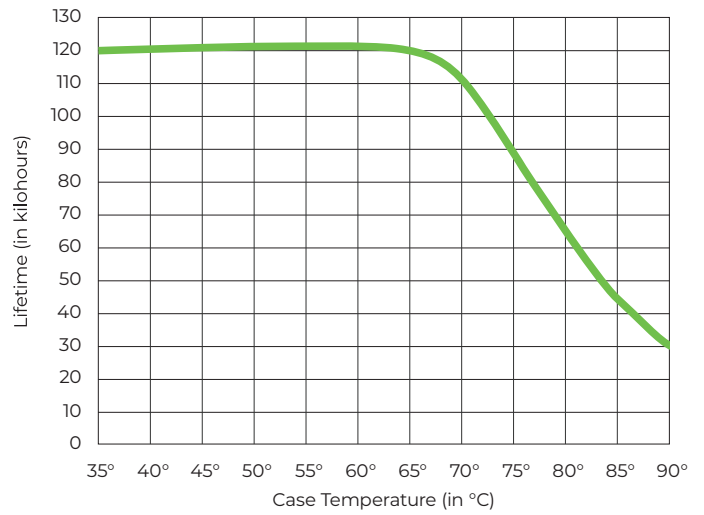
High Temp. LED UFO High Bay Specifications

Dimensional Drawing



Model	A	B	C
UHBDT-xK90H1-110	6.1 in. (mm)	11.25 in. (286 mm)	2.6 in. (67 mm)
UHBDT-xK135H1-110	6.2 in. (158 mm)	14 in. (356 mm)	2.6 in. (67 mm)
UHBDT-xK175H1-110	6.6 in. (167 mm)	14.9 in. (378 mm)	2.8 in. (72 mm)

LED Lifetime by Operating Temperature



Mounting Height

Model	Optimal Mounting Height
UHBDT-50K90H1-110	15-20 ft (4.5-6.1 m)
UHBDT-50K135H1-110	20-25 ft (6.1-7.6 m)
UHBDT-50K175H1-110	25-30 ft (7.6-9.1 m)

Specifications

Model	UHBDT-50K90H1-110	UHBDT-50K135H1-110	UHBDT-50K175H1-110
Intensity	13,950 lm	20,925 lm	27,125 lm
Operating Voltage	100-277 VAC		
Power Consumption	90 W	135 W	175 W
Current Draw	0.75 A @120 VAC 325 mA @277 VAC	1.13 A @120 VAC 487 mA @277 VAC	1.46 A @120 VAC 632 mA @277 VAC
Efficacy	155 lm/W		
Color Temperature	5000K		
Beam Angle	110°		
CRI	80+		
Dimming	1-10 V		
IP Rating	IP65		
Ambient Operating Temperature	-40°-149° F (-40°-65° C)		
Product Weight	7.7 lb (3.5 kg)	10.3 lb (4.7 kg)	15.6 lb (7.1 kg)
Rated Life (L70)	60,000 hours		

