

## UHBD2 Series

LED UFO High Bay Light Specifications

Project \_\_\_\_\_

Date \_\_\_\_\_ Type \_\_\_\_\_



UHBD2-50K150H-110

### Features

- 100–277 VAC
- 80+ CRI
- L70 rated 50,000 hour lifetime
- IP65 rated water resistance

### Construction

Manufactured with a durable aluminum housing—offered in black or white finish—and feature a polycarbonate lens.

### Application

Easily replaces inefficient metal-halide fixtures such as those found in warehouses, workshops, supermarkets, factories, gyms, general retail locations, and other areas where a high bay lighting solution is required.

### Output Equivalencies

UHBD2-xK100H-110	250 W metal-halide
UHBD2-xK150H-110	400 W metal-halide
UHBD2-xK200H-110	750 W metal-halide
UHBD2-xK240H-110	1,000 W metal-halide

### Warranty

Five (5) Year Warranty

### Certifications and Compliances

These lights are UL Listed in compliance with UL 1598 (IFAM) and are listed as DLC Premium.



### Available Models<sup>1</sup>

#### black finish

- UHBD2-50K100H-110
- UHBD2-50K150H-110
- UHBD2-50K200H-110
- UHBD2-50K240H-110

#### white finish

- UHBD2-50K100H-110 (white)
- UHBD2-50K150H-110 (white)
- UHBD2-50K200H-110 (white)
- UHBD2-50K240H-110 (white)

### Part Number Breakdown

Example: UHBD2-50K200H-110

Family	Color Temperature	Wattage	Efficacy	Beam Angle
UHBD2	40K [4000K] or 50K [5000K]	100 [100 W]	H [≥130 lm/W]	110 [110°]
		150 [150 W]		
		200 [200 W]		
		240 [240 W]		

### Optional Accessories

Microwave Motion Sensors (all models)

- MC054V RC B-054-B (Fixed Surface Mount)
- MC054V RC B-054-C (Adjustable Mount)
- Notes



T 314.743.3067

F 314.972.6202

email: commercial-sales@superbrightleds.com

www.superbrightleds.com/cat/industrial-led-lighting/

<sup>1</sup>Contact customer service if interested in options other than those listed.

Rev V1 Date: 11/11/2019

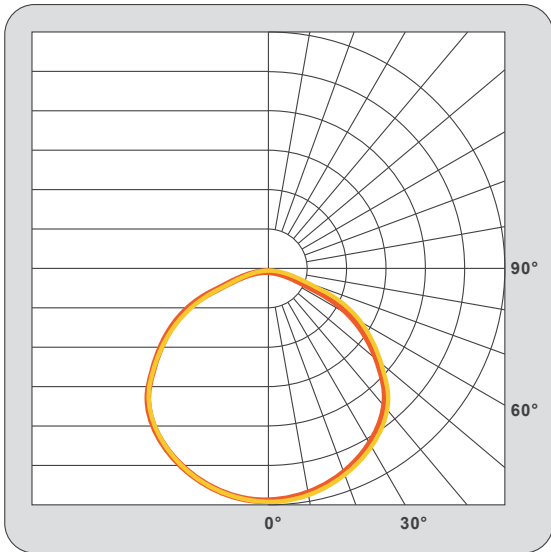
Specifications are subject to change without notice.

Printed in the U.S.A.

# UHBD2 Series

LED UFO High Bay Light Specifications

## Photometrics - Beam Angle

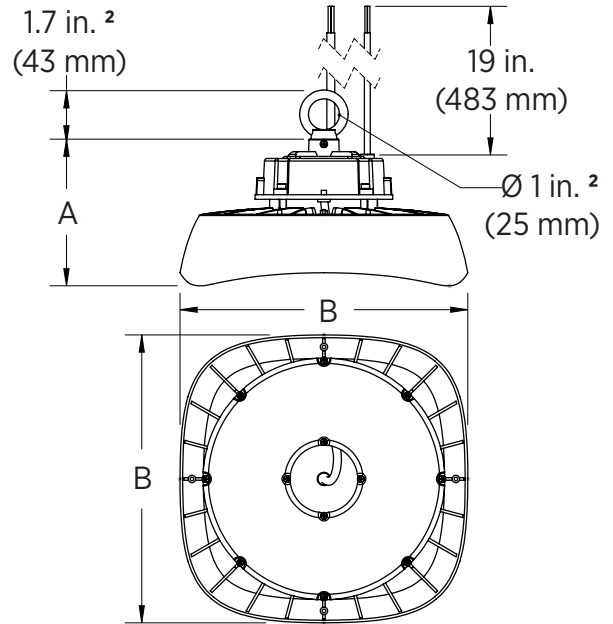


Additional model-specific photometric data available on site or upon request.

## Mounting Height

Model	Optimal Mounting Height
UHBD2-xK100H-110	15-20 ft (4.5-6.1 m)
UHBD2-xK150H-110	20-25 ft (6.1-7.6 m)
UHBD2-xK200H-110	25-30 ft (7.6-9.1 m)
UHBD2-xK240H-110	30-35 ft (9.1-10.7 m)

## Dimensional Drawing



Model	Height (A)	Width (B)
UHBD2-xK100H-110	5.2 in. (132 mm)	9.9 in. (251 mm)
UHBD2-xK150H-110	5.8 in. (147 mm)	10.9 in. (277 mm)
UHBD2-xK200H-110	6.3 in. (160 mm)	12.75 in. (324 mm)
UHBD2-xK240H-110	6.3 in. (160 mm)	12.75 in. (324 mm)

\*240 W models will measure 1.1 in. (28 mm) inner diameter and 1.9 in. (48 mm) high.

## Specifications

Model	UHBD2-50K100H-110	UHBD2-50K150H-110	UHBD2-50K200H-110	UHBD2-50K240H-110
Intensity	13,000 lm	19,500 lm	26,000 lm	31,200 lm
Operating Voltage	100-277 VAC			
Power Consumption	100 W	150 W	200 W	240 W
Current Draw	0.83 A @120 VAC	1.25 A @120 VAC	1.67 A @120 VAC	2 A @120 VAC
Efficacy	130 lm/W			
Color Temperature	5000K			
Beam Angle	110°			
CRI	80+			
Dimming	1-10 V			
IP Rating	IP65			
Ambient Operating Temperature	-40°-122° F (-40°-50° C)			
Product Weight	6.75 lb (3.1 kg)	9.5 lb (4.4 kg)	13.25 lb (6 kg)	14.25 lb (6.5 kg)
Rated Life (L70)	50,000 hours			

T 314.743.3067

F 314.972.6202

email: commercial-sales@superbrightleds.com

www.superbrightleds.com/cat/industrial-led-lighting/

