

**Important: Read all instructions prior to installation.**

## LED UFO High Bay Light



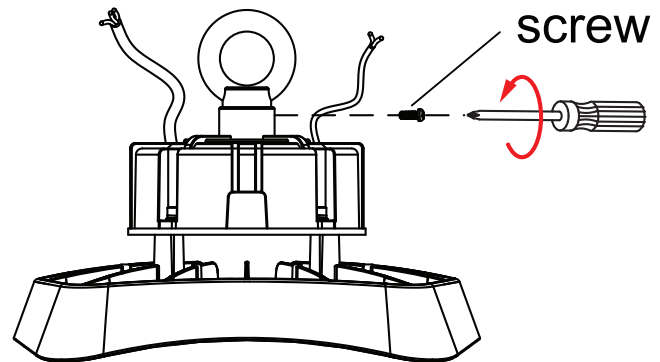
UHBD2-50K150H-110

### Included Parts

- 1 - high bay light
- 1 - eye bolt

### Installation

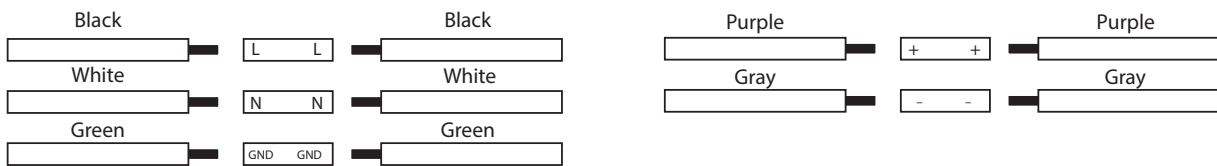
1. Insert eye bolt into threaded hole on top of fixture and tighten.
2. With supply power switched off, connect wiring.
3. Hang fixture by attaching eye bolt to an existing hook or carabiner (SBL number HBU-CARB or SC-300).



### Safety and Notes

- Product should be installed by a certified electrician in accordance with applicable national, state, and local building and electrical codes.
- To reduce the risk of electric shock, ensure that the main power source and circuit breakers are switched off before performing any installation or wiring procedures.
- Avoid looking directly into the lamp when illuminated.
- Ensure all mounts are securely attached and will support the weight of the fixture. Failure to properly support the fixture may result in damage or injury, for which the manufacturer does not assume responsibility.

### Wiring Diagram



### Specifications

Model	UHBD2-xK100H-110 / UHBD2-xK100H-110 (White)	UHBD2-xK150H-110 / UHBD2-xK150H-110 (White)	UHBD2-xK200H-110 / UHBD2-xK200H-110 (White)	UHBD2-xK240H-110 / UHBD2-xK240H-110 (White)
Operating Voltage	100-277 VAC			
Amps	0.83 A @120 VAC	1.25 A @120 VAC	1.67 A @120 VAC	2 A @120 VAC
Beam Angle	110 degree			
Operating Temperature	-40-122° F (-40-50° C)			
Environmental Rating	IP65			
Dimming	1-10 V			

