

UHBD-S1 Series

LED UFO High Bay Specifications

Project _____

Date _____ Type _____



UHBD-S1-50K150-80H

Description

UHBD-S1 series UFO high bays provide even illumination for high ceiling applications. An improved alternative to traditional metal halides, the design is more compact and efficient. Low profile aluminum housing has built-in heat sinks for passive cooling. Powder-coated exterior and IP65 rating resists corrosion and moisture. Powerful LEDs deliver up to 140 lumens per watt, with a polycarbonate lens designed to reduce glare.

Mechanical

- Die-cast aluminum housing
- Black powder-coated finish provides protection against contaminants and oxidation
- Included eye bolt
- -40°-113° F (-40°-45° C) operating temperature
- IP65 rated for wet locations

Electrical

- 100-277 VAC input voltage range
- 0-10 V dimmable
- ≥0.9 power factor
- 50,000 hour (L70) rated lifespan

Photometrics

- 140 lm/W—packages from 14,000 to 33,600 lumen
- Available in 5000K at 80+ CRI
- 80° beam angle

Certifications and Compliances

These lights are UL Listed in compliance with UL 1598 (IFAM) and are also listed as DLC Premium.



Warranty

Five (5) Year Warranty

Available Models¹

4000K

- UHBD-S1-40K100-80H
- UHBD-S1-40K150-80H
- UHBD-S1-40K200-80H
- UHBD-S1-40K240-80H

5000K

- UHBD-S1-50K100-80H
- UHBD-S1-50K150-80H
- UHBD-S1-50K200-80H
- UHBD-S1-50K240-80H

Part Number Breakdown

Example: UHBD-S1-50K150-80H

Family	Color Temperature	Wattage	Beam Angle	Efficacy
UHBD-S1	40K [4000K] or 50K [5000K]	100 [100 W]	80 [80°]	H [140 lm/W]
		150 [150 W]		
		200 [200 W]		
		240 [240 W]		

Application

Easily replaces inefficient metal-halide fixtures such as those found in warehouses, steel mills, manufacturing facilities, foundries, hangars, pulp and paper mills, and other industrial areas where a high temperature high bay lighting solution is required.

Optional Accessories

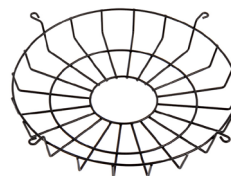
Polycarbonate Reflector

- UHBD-S1-PR100 (for UHBD-S1-xK100-80H)
- UHBD-S1-PR150 (for UHBD-S1-xK150-80H)
- UHBD-S1-PR200 (for UHBD-S1-xK200-80H and UHBD-S1-xK240-80H)



Wire Guard

- UHBD-S1-WG100 (for UHBD-S1-xK100-80H)
- UHBD-S1-WG150 (for UHBD-S1-xK150-80H)
- UHBD-S1-WG200 (for UHBD-S1-xK200-80H and UHBD-S1-xK240-80H)



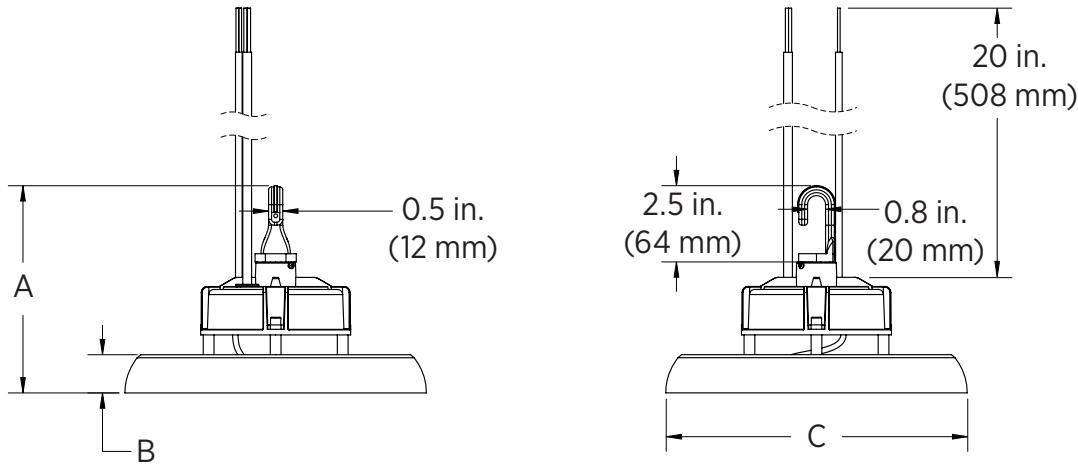
¹Contact customer service if interested in options other than those listed.



UHBD-S1 Series

LED UFO High Bay Specifications

Dimensional Drawing



Model	A	B	C
UHBD-S1-xK100-80H	6.9 in. (175 mm)	1.3 in. (33 mm)	10.25 in. (260 mm)
UHBD-S1-xK150-80H	7.3 in. (186 mm)	1.75 in. (44 mm)	11 in. (280 mm)
UHBD-S1-xK200-80H	7.5 in. (191 mm)	2 in. (50 mm)	13.4 in. (340 mm)
UHBD-S1-xK240-80H			

Specifications

Model	UHBD-S1-xK100-80H	UHBD-S1-xK150-80H	UHBD-S1-xK200-80H	UHBD-S1-xK240-80H
Intensity	14,000 lm	21,000 lm	28,000 lm	33,600
Operating Voltage	100-277 VAC			
Power Consumption	100 W	150 W	200 W	240 W
Current Draw	833 mA @120 VAC 361 mA @277 VAC	1.25 A @120 VAC 542 mA @277 VAC	1.67 A @120 VAC 722 mA @277 VAC	2 A @120 VAC 866 mA @277 VAC
Efficacy	140 lm/W			
Color Temperature	4000K or 5000K (as ordered)			
Beam Angle	80°			
CRI	80+			
Dimming	0-10 V			
IP Rating	IP65			
Ambient Operating Temperature	-40°-113° F (-40°-45° C)			
Product Weight	4.1 lb (1.86 kg)	5.3 lb (2.4 kg)	7 lb (3.18 kg)	7.3 lb (3.31 kg)
Rated Life (L70)	50,000 hours			

