

UDSR Series

LED UFO High Bay Light Specifications

Project _____

Date _____ Type _____



UDSR-50K100-ACBKM

Features

- 100-277 VAC
- 80+ CRI
- L70 rated 50,000 hour lifetime
- IP65 rated water resistance
- Optional remote adjusts dimming and motion sensor settings

Construction

Manufactured with a durable aluminum housing and feature a shatter-resistant tempered glass lens.

Application

Easily replaces inefficient metal-halide fixtures such as those found in warehouses, workshops, supermarkets, factories, gyms, general retail locations, and other areas where a high bay lighting solution is required.

Output Equivalencies

UDSR-xK100-ACxM	250 W metal-halide
UDSR-xK150-ACxM	400 W metal-halide
UDSR-xK200-ACxM	750 W metal-halide
UDSR-xK240-ACxM	1,000 W metal-halide

Warranty

Five (5) Year Warranty

Certifications and Compliances

These lights are UL Listed in compliance with UL 1598 (IFAM) and are listed as DLC Premium.



¹Contact customer service if interested in options other than those listed.

²While remote is a required accessory, it is still considered a separate component and will need to be added to any purchase in addition to the light.



T 314.743.3067
 F 314.972.6202
 email: commercial-sales@superbrightleds.com
 www.superbrightleds.com/cat/industrial-led-lighting/

Available Models¹

black finish

- UDSR-50K100-ACBKM
- UDSR-50K150-ACBKM
- UDSR-50K200-ACBKM
- UDSR-50K240-ACBKM
- UDSR-40K100-ACBKM
- UDSR-40K150-ACBKM
- UDSR-40K200-ACBKM
- UDSR-40K240-ACBKM

white finish

- UDSR-50K100-ACWHM
- UDSR-50K150-ACWHM
- UDSR-50K200-ACWHM
- UDSR-50K240-ACWHM

Part Number Breakdown

Example: UDSR-50K100-ACBKM

Family	Color Temperature	Wattage	Lens	Finish	Options
UDSR	40K [4000K] or 50K [5000K]	100 [100 W]	AC [clear]	BK [black] or WH [white]	M [motion sensor]
		150 [150 W]			
		200 [200 W]			
		240 [240 W]			

Required Accessories

- remote control for motion sensor² (UDSR-REMOTE)

Optional Accessories

- 90° polycarbonate reflector for 100 W / 150 W (UDSR-PR90-1015)
- 90° polycarbonate reflector for 200 W / 240 W (UDSR-PR90-2024)



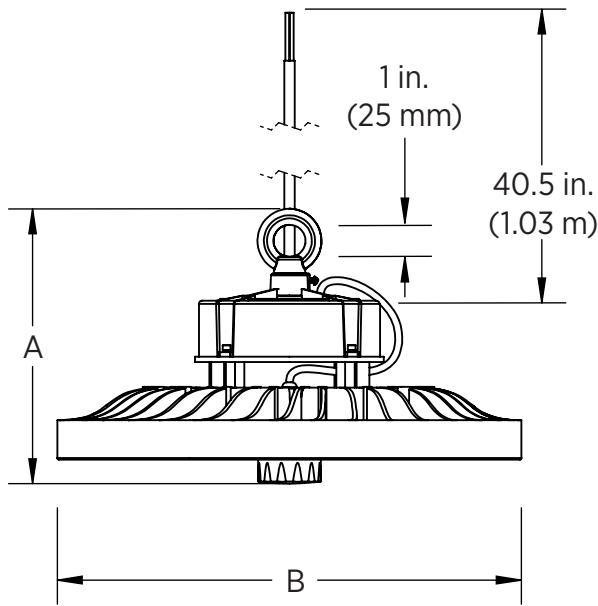
- black mounting bracket for 100 W / 150 W (UDSR-UB-1015)
- black mounting bracket for 200 W / 240 W (UDSR-UB-2024)
- white mounting bracket for 100 W / 150 W (UDSR-UBWH-1015)
- white mounting bracket for 200 W / 240 W (UDSR-UBWH-2024)



UDSR Series

LED UFO High Bay Light Specifications

Dimensional Drawing



Model	Height (A)	Width (B)
UDSR-xK100-ACxM	8.3 in.	12 in.
UDSR-xK150-ACxM	(mm)	(mm)
UDSR-xK200-ACxM	8.6 in.	14.5 in.
UDSR-xK240-ACxM	(mm)	(mm)

Specifications

Model	UDSR-xK100-ACxM	UDSR-xK150-ACxM	UDSR-xK200-ACxM	UDSR-xK240-ACxM
Intensity	15,500 lm	22,000 lm	30,000 lm	35,000 lm
Operating Voltage	100-277 VAC			
Power Consumption	100 W	150 W	200 W	240 W
Current Draw	0.83 A @120 VAC	1.25 A @120 VAC	1.67 A @120 VAC	2 A @120 VAC
Efficacy	155 lm/W	147 lm/W	150 lm/W	146 lm/W
Color Temperature	4000K or 5000K (as ordered)			
Beam Angle	110°			
CRI	80+			
Dimming	1-10 V (motion sensor controlled) ³			
IP Rating	IP65			
Ambient Operating Temperature	-40°-122° F (-40°-50° C)			
Product Weight	6.6 lb (3 kg)		10.1 lb (4.6 kg)	
Rated Life (L70)	50,000 hours			

³The driver on the light uses 1-10 V dimming, so when using the remote and selecting 0% or off, this will actually dim light to 10%. Dimming itself is not manually adjustable. The light will only dim in relation to the motion sensor settings.

T 314.743.3067

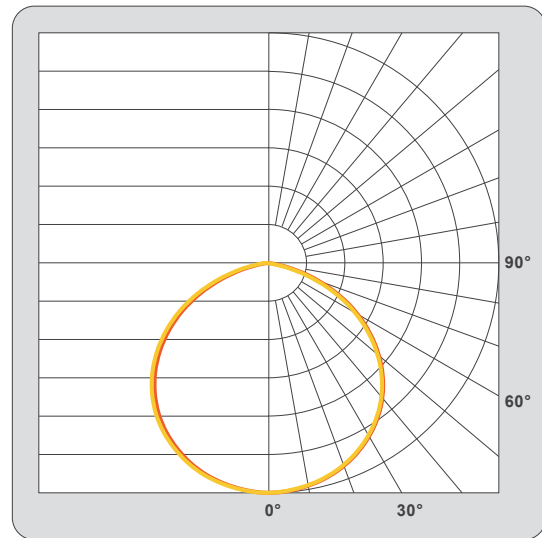
F 314.972.6202

email: commercial-sales@superbrightleds.com

www.superbrightleds.com/cat/industrial-led-lighting/



Photometrics - Beam Angle



Additional model-specific photometric data available on site or upon request.

Mounting Height

Model	Optimal Mounting Height
UDSR-xK100-ACxM	15-20 ft (4.5-6.1 m)
UDSR-xK150-ACxM	20-25 ft (6.1-7.6 m)
UDSR-xK200-ACxM	25-30 ft (7.6-9.1 m)
UDSR-xK240-ACxM	30-35 ft (9.1-10.7 m)