

# Up/Down Dimmable LED Light

Up/Down Panel Dimmable Series

Project Name \_\_\_\_\_

Date \_\_\_\_\_

Type \_\_\_\_\_

The unique design of this ETL and DLC listed 0-10V dimmable Up/Down panel light allows 40% of the light to emit up and 60% of the light to emit down. This light has strikingly beautiful aesthetics with a superior aluminum housing. It provides ceiling accent lighting and usable downlighting simultaneously—perfect for a skylight. The panel has a transparent polycarbonate lens with a frosted center that delivers smooth illumination without visible bulbs or hot spots.

### Specifications

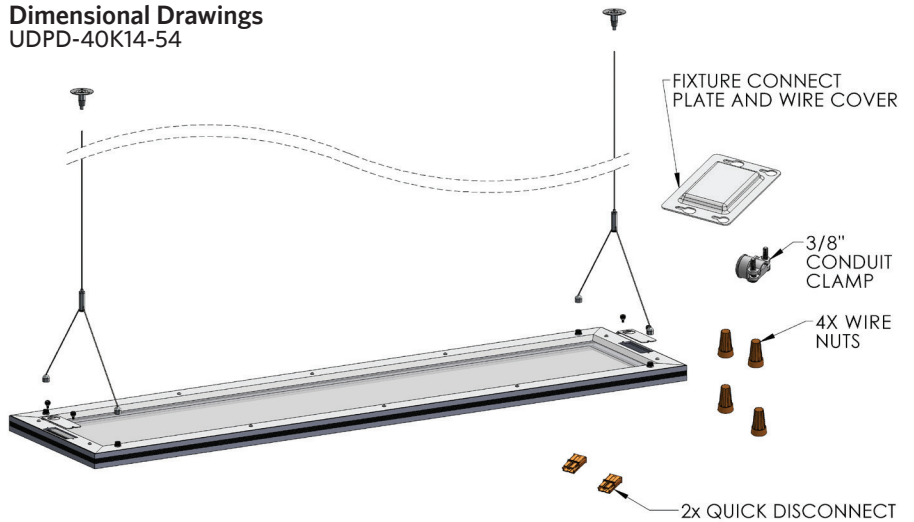
UDPD-40K14-54	
Input Voltage	100-277 VAC
Input Power	54 Watts
Input Current	470mA @ 120VAC
Lumens	5400 lm
Color Temperature	4000K
CRI	84
Efficacy	154 lm/w
Temperature Range	-4° - 104° F (-20° - 40°C)
Dimensions	L47.25" x W11.8" x H1.1" (120 x 30 x 2.7cm)
Weight	14 lbs (6350g)
Warranty	5 years

UDPD-40K14-54

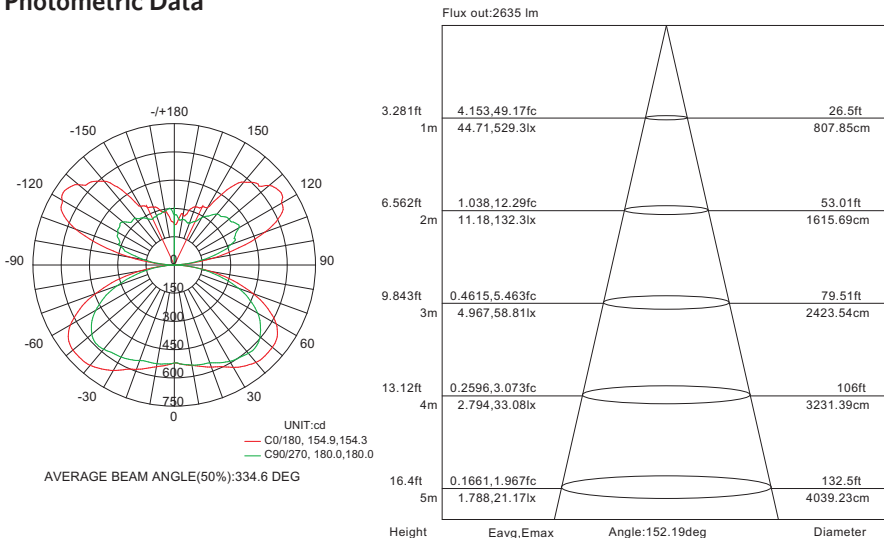


### Dimensional Drawings

UDPD-40K14-54



### Photometric Data



### Mounting Accessories



UDPD-HK1



### Ordering Information

LED Product	Color Temperature / Wattage	Beam Angle
UDPD - Up/Down Panel Dimming	40K14 - 4000K Natural White / 14 watts	80 - Degree Beam Angle



Rev Date: V1.1 06/02/2017

