

Important: Read all instructions prior to installation.

Selectable CCT LED Under Cabinet Lights

Safety and Notes

- This product should be installed in accordance with applicable national, state, and local building and electrical codes.
- Avoid looking directly into the lamp when illuminated.
- Ensure mounts are securely attached and will support the weight of the lights. Failure to properly support lights may result in damage or injury, for which the manufacturer does not assume responsibility.
- Supply power can be linked up to the max run listed on product label. Do not use with dimmers or extension cords or modify wiring/connection.



UC 37TD3C18

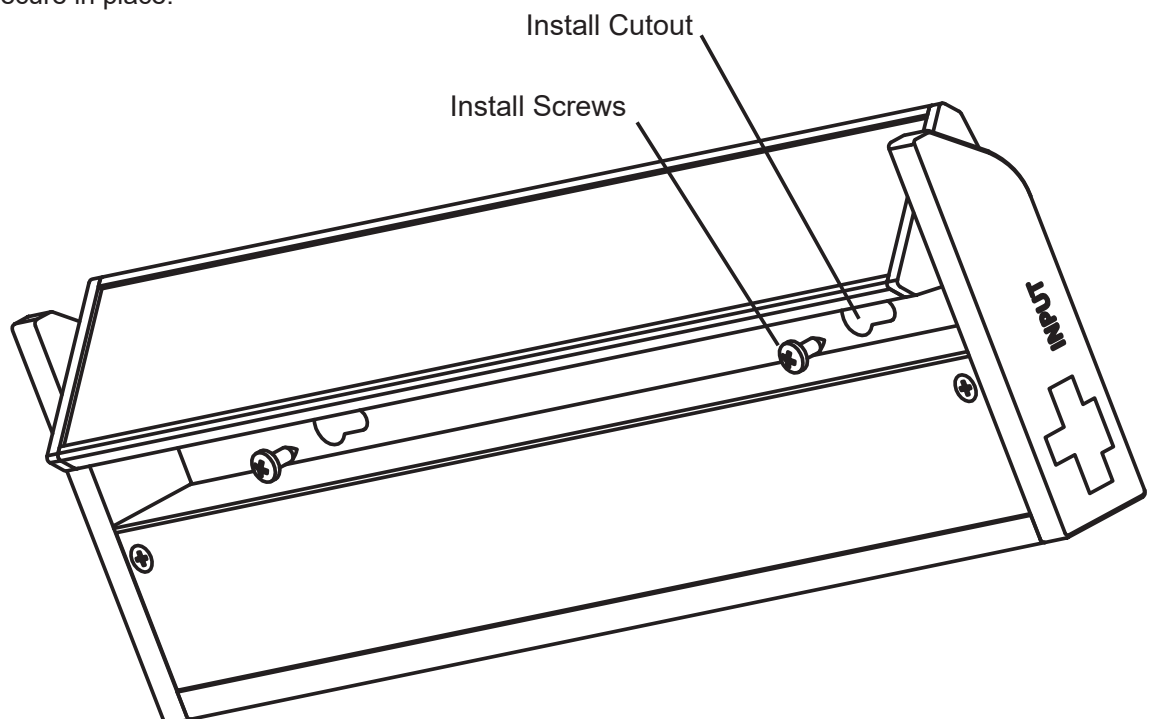
Specifications

Model	UC 37TD3C18	UC 37TD3C24
Operating Temperature	0°–104° F (-18°–40° C)	
Environmental Rating	Damp locations	
Fixture Weight	1.7 lb (0.8 kg)	2 lb (0.9 kg)

Check product label for specific electrical specifications related to installation. Improper installation will void warranty.

Mounting Instructions

1. Install mounting screws, leaving them loose enough for the light to slide behind the head of the screws.
Note: Use light cutouts to measure distance between mounting screws.
2. Place light over screw heads and slide into cutout channel.
3. Tighten screws to secure in place.

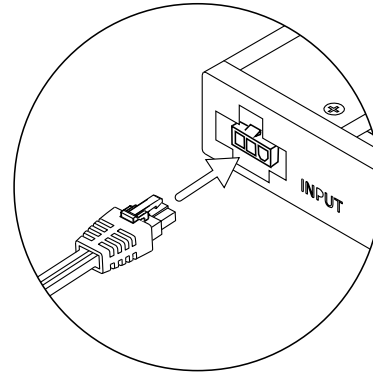


Important: Read all instructions prior to installation.

Selectable CCT LED Under Cabinet Lights

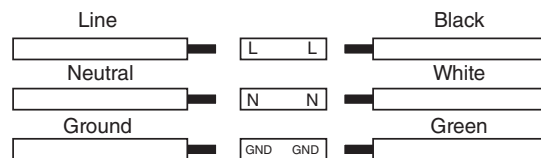
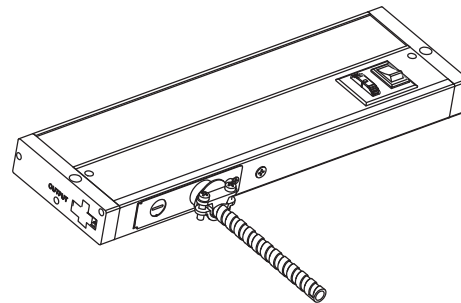
Plug-in Connection

1. Plug provided cable into input socket of light, then into standard 3-prong (5-15R) outlet.



Hardwire Connection

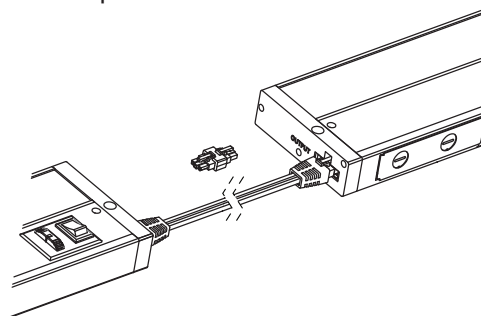
1. Remove supply power.
2. Remove rear wiring access panel.
3. Mount provided strain relief onto panel.
4. Connect wiring/cable through strain relief and reinstall access panel.
5. Reapply power.



Interconnect Instructions

Using provided interconnect (direct or cable), connect lights in a series.

Note: When running lights in series, connections must be made from output of one light to input of another light. Series of lights should not exceed 200 W maximum total power.



CCT Selection

Slide CCT selection switch to desired setting (2700K, 3000K, 4000K).

