

Important: Read all instructions prior to installation.

Low Voltage Interior LED Lights

Included Parts

- 1 - Low Voltage LED Light
- 4 - Mounting Screws

Specifications

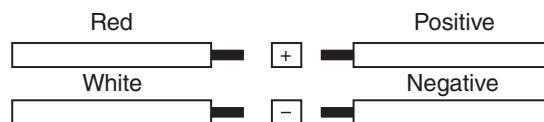
Model	TSL-xK210	TSL-xK318	TSL-xK426
Input Voltage	12-28 VDC		
Power	7W	9W	19W
Current	580 mA @12 VDC	750 mA @12 VDC	1580 mA @12 VDC
Environmental Rating	Dry Only		
Dimming	no		



Safety and Notes

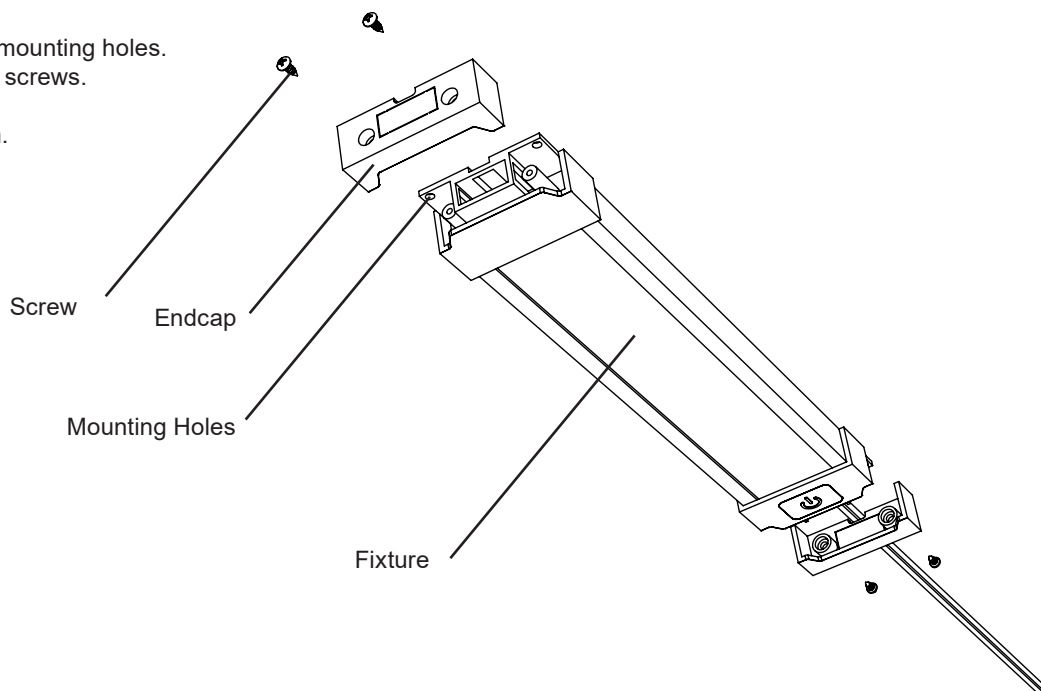
- Product should be installed by a certified electrician in accordance with applicable national, state, and local building and electrical codes.
- To reduce the risk of electric shock, ensure that the main power source is switched off or disconnected before performing any installation or wiring procedures.
- Avoid looking directly into the lamp when illuminated.
- Power button is capacitive (touch sensitive).
- Indoor use only

Wiring Diagram



Installation Instructions

1. Remove two endcap screws to access mounting holes.
2. Mount LED fixture to surface using four screws.
3. Replace endcaps.
4. Connect wiring. Refer to wiring diagram.

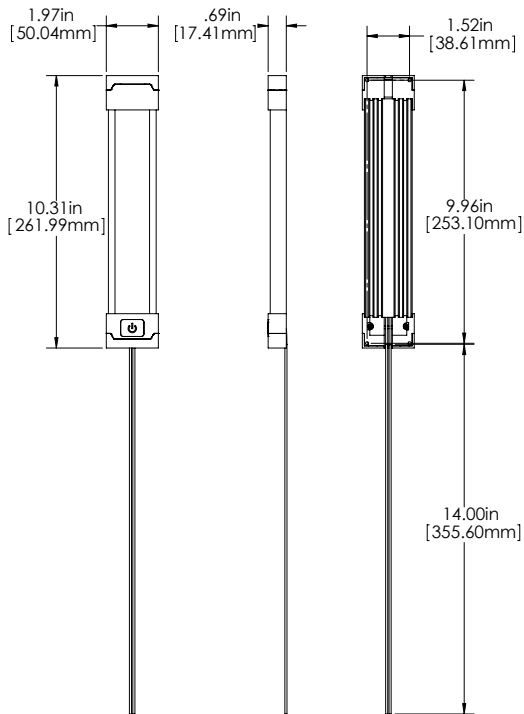


Important: Read all instructions prior to installation.

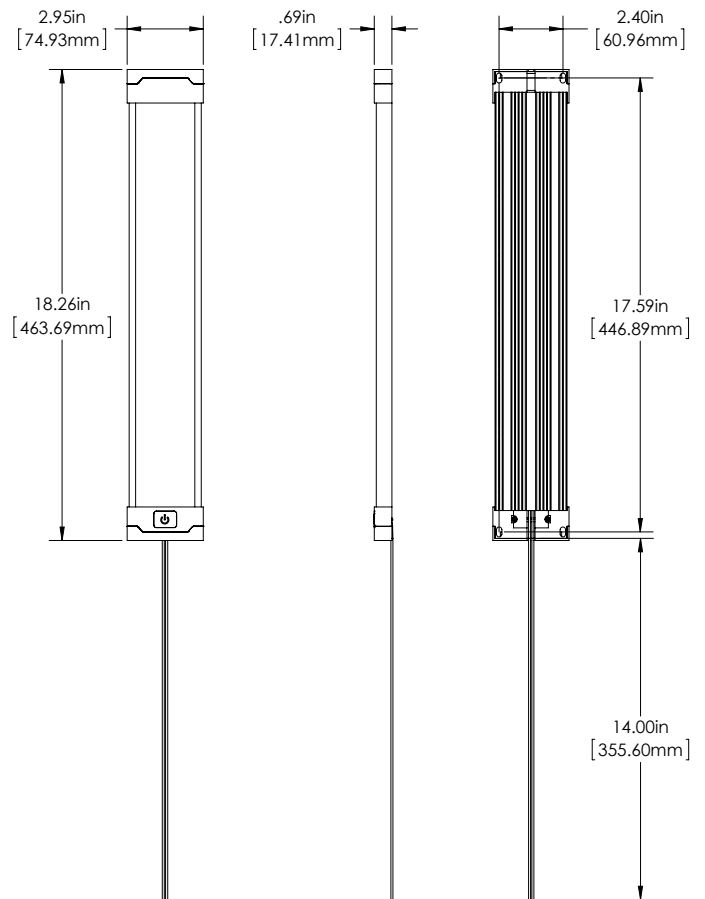
Low Voltage Interior LED Lights

Dimensional Diagrams

TSL-xK210



TSL-xK318



Important: Read all instructions prior to installation.

Low Voltage Interior LED Lights

Dimensional Diagrams

TSL-xK426

