

## TPLF Series

Tri-Proof LED Light Specifications

Project \_\_\_\_\_

Date \_\_\_\_\_ Type \_\_\_\_\_



TPLF-40K30

### Features

- Vandal/tamper proof, impact resistant design
- 100-277 VAC
- 80+ CRI
- L70 rated 100,000 hour lifetime
- IP66 rated water resistance

### Construction

Designed specifically to resist moisture, dust, and impact. Nylon housing and polycarbonate lens and vandal-proof and corrosion-resistant. Include brackets for surface mounting as well as an adjustable hanging kit.

### Application

Easily replaces inefficient fluorescent fixtures such as those found in warehouses, workshops, garages, corridors and hallways, and other areas where linear fixtures are required.

### Output Equivalencies

<b>TPLF-xK30</b>	two 30 W fluorescent T8 tubes
<b>TPLF-xK55</b>	two 32 W fluorescent T8 tubes
<b>TPLF-xK70</b>	four 32 W fluorescent T8 tubes

### Certifications and Compliances

These lights are ETL Listed in compliance with UL 1598 (IFAM).



### Available Models<sup>1</sup>

#### 4000K

- TPLF-40K30
- TPLF-40K55
- TPLF-40K70

#### 5000K

- TPLF-50K30
- TPLF-50K55
- TPLF-50K70

### Part Number Breakdown

Example: TPLF-40K70

Family	Color Temperature	Wattage
TPLF	40K [4000K] or 50K [5000K]	30 [30 W]
		55 [55 W]
		70 [70 W]

### Warranty

Five (5) Year Warranty

### Notes

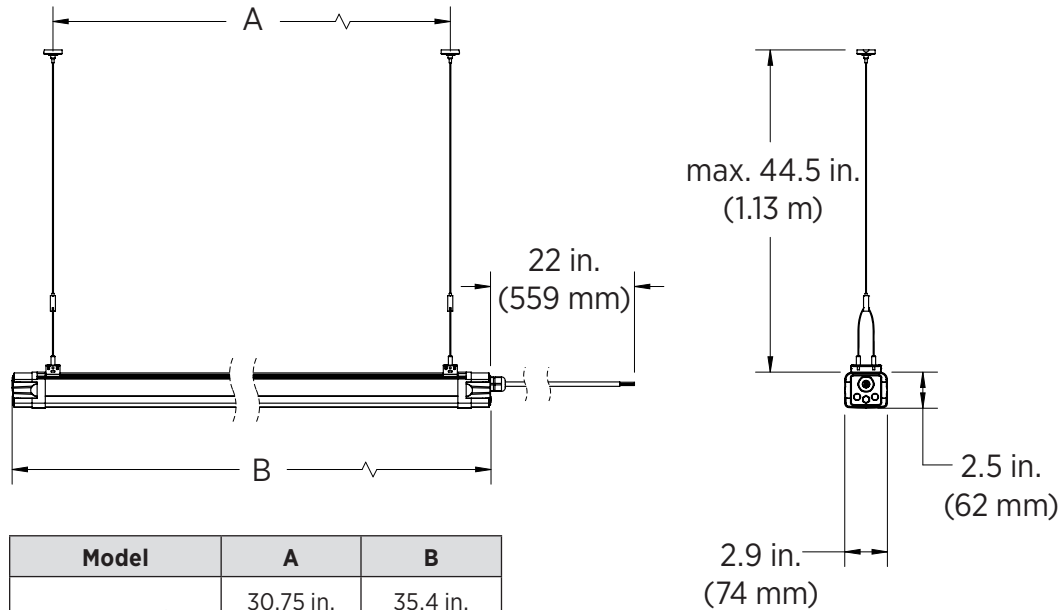
<sup>1</sup>Contact customer service if interested in options other than those listed.



# TPLF Series

Tri-Proof LED Light Specifications

## Dimensional Drawing



Model	A	B
TPLF-xK30	30.75 in. (781 mm)	35.4 in. (900 mm)
TPLF-xK55 TPLF-xK70	42.5 in. (1.08 m)	47.25 in. (1.2 m)

## Specifications

Model	TPLF-xK30	TPLF-xK55	TPLF-xK70
Intensity	3,500 lm	6,000 lm	8,600 lm
Operating Voltage	100-277 VAC		
Power Consumption	30 W	55 W	70 W
Current Draw	108 mA @277 VAC	199 mA @277 VAC	253 mA @277 VAC
Efficacy	≥116 lm/W	≥109 lm/W	≥122 lm/W
Color Temperature	4000K or 5000K (as ordered)		
Beam Angle	120°		
CRI	80+		
Dimming	none		
IP Rating	IP66		
Ambient Operating Temperature	-22°-113° F (-30°-45° C)		
Product Weight	3.1 lb (1.41 kg)	3.75 lb (1.7 kg)	4.15 lb (1.88 kg)
Rated Life (L70)	100,000 hours		

