

Important: Read all instructions prior to installation.

LED Tri-Proof Lights



Safety and Notes

- Product should be installed and serviced in accordance with applicable national, state, and local building and electrical codes.
- To reduce the risk of electric shock, ensure that the main power source and circuit breakers are switched off before performing any installation or wiring procedures.
- Avoid looking directly into lamp when illuminated.
- Ensure all mounts are securely attached and will support the weight of the fixture. Failure to properly support fixture may result in damage or injury, for which the manufacturer does not assume responsibility.

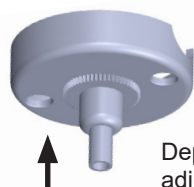
Specifications

Model	TPLF-xK30	TPLF-xK55	TPLF-xK70
Operating Temperature	-22°–113° F (-30°–45° C)		
IP Rating	IP66		
Weight	3 lb (1.4 kg)		4.1 (1.9 kg)

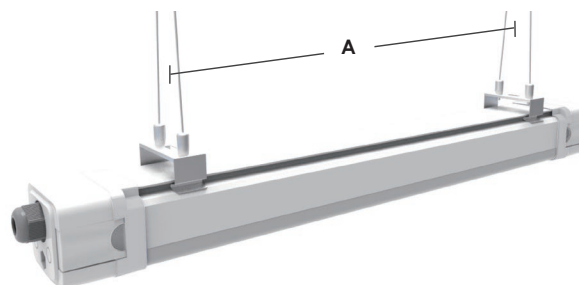
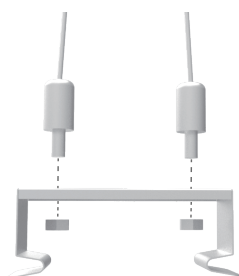
Check product label for specific electrical specifications related to installation. Improper installation will void warranty.

Hanging Installation

1. Measure hole distance according to diagram.
2. Attach cables to hanging clips.
3. Install ceiling mounts (hardware not included).
4. Snap light into clips to secure.
5. Adjust height using cable gripper.
6. With supply power off, connect wiring.



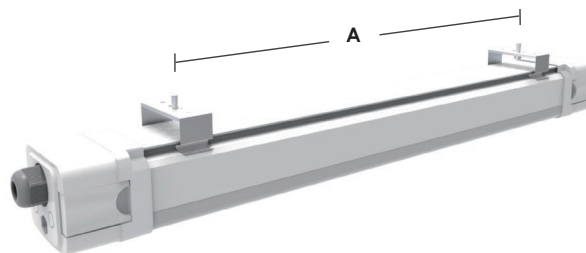
Depress cable gripper to adjust length of cable(s).



Model	TPLF-xK30	TPLF-xK55, TPLF-xK70
A	30 in. (76.2 cm)	42 in. (1.07 m)

Surface Mounting Installation

1. Measure hole distance according to diagram.
2. Attach hanging clips to surface (hardware not included).
3. Snap light into clips to secure.
4. With supply power off, connect wiring.



Model	TPLF-xK30	TPLF-xK55, TPLF-xK70
A	30 in. (76.2 cm)	42 in. (1.07 m)

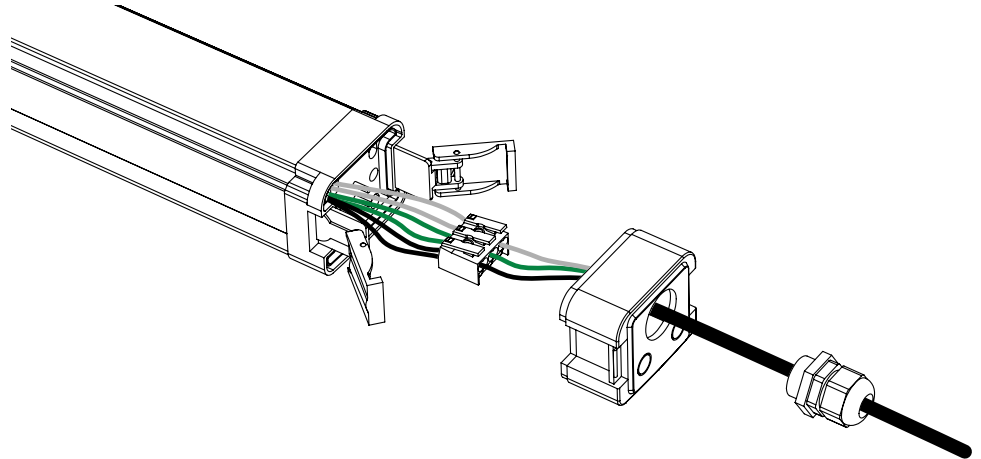


Important: Read all instructions prior to installation.

LED Tri-Proof Lights

Linking Fixtures Together

1. Ensure supply power is off.
2. On the end opposite of the existing cord, unlatch end cap.
3. Remove plug from end cap.
4. Using included water-tight connector, run cable through end cap and tighten connector.
5. Attach wiring to terminal block.
6. Reinstall cap.



Model	TPLF-xK30	TPLF-xK55	TPLF-xK70
Max Run	20* (120 VAC) 55* (277 VAC)	10* (120 VAC) 30* (277 VAC)	8* (120 VAC) 20* (277 VAC)

*Max run can be negatively affected by length of wire run between lights over extreme distances.

Wiring Diagram

