

Important: Read all instructions prior to installation.

LED Job Site Light

Specifications

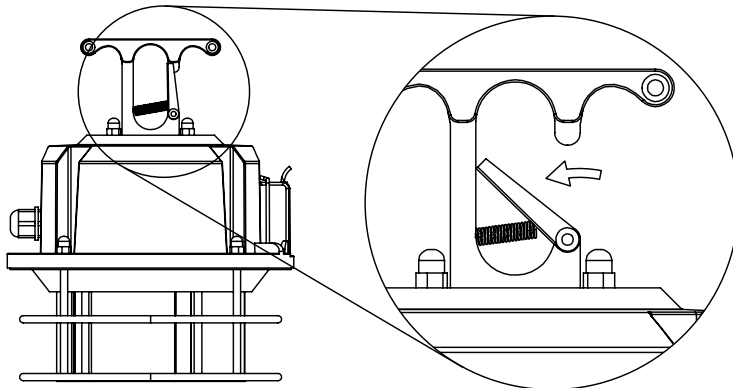
	TJSL-xK60W	TJSL-xK100W	TJSL-xK120W
Operating Voltage Range	120 VAC		
Amperage	0.5 A	0.83 A	1 A
Operating Temperature	-40°–113° F (-40°–45° C)		
IP Rating	IP65*		
LED Lifetime	50,000 Hours		
Fixture Weight	4.45 lb (2 kg)	4.85 lb (2.2 kg)	5.25 lb (2.4 kg)
Max Run (10 A)	20	12	10

*Not applicable when linked



Hanging Latch Instructions

Built-in latch will accommodate pipe or cable up to 0.5" diameter.



Safety and Notes

- This product should be installed in accordance with applicable national, state, and local building and electrical codes.
- To reduce the risk of electric shock, ensure that the main power source and circuit breakers are switched off before performing any installation.
- Avoid looking directly into the lamp when illuminated.
- Ensure mount is securely attached and will support the weight of the fixture. Failure to properly support the fixture may result in damage or injury, for which the manufacturer does not assume responsibility.
- Supply power can be linked (see spec table for max run).
- Do not install in a location that is in proximity to a radiant heater.

Linking Instructions

Lights can be linked in a run which uses 10 A or less of total current. The number of lights will vary based on part number (see spec table above). When linking lights, make sure safety clip is fully engaged to ensure cord cannot accidentally become unplugged.

