

Important: Read all instructions prior to installation.

LED Temporary Job Site Lights

Safety and Notes

- This product should be installed in accordance with applicable national, state, and local building and electrical codes.
- Avoid looking directly into the lamp when illuminated.
- Ensure mounts are securely attached and will support the weight of the lights. Failure to properly support lights may result in damage or injury, for which the manufacturer does not assume responsibility.
- Supply power can be linked (see spec table for max run). Do not use with dimmers or extension cords or modify wiring/connection.
- Do not install in a location that is in proximity to a radiant heater.
- Lights must be connected to GFCI-protected receptacle only.
- If cleaning is necessary, use a damp cloth to wipe down case. Do not spray lights with pressurized water or expose to steam.
- Do not use within 16 ft (5m) of large areas of standing water such as pools, spas, or fountains.



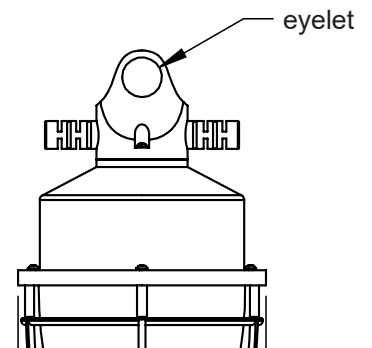
TJSL-5F20W50K-10P606 (orange)

Specifications

Model	TJSL-5F05W35K-10P2406 (black)	TJSL-5F20W50K-10P606 (orange)
Input Voltage	120 VAC	
Wattage	25 W	100 W
Amperage	0.21 A	0.83 A
Operating Temperature	-4°–113° F (-20°–45° C)	
IP Rating	IP65	
LED Lifetime	50,000 Hours	
Fixture Weight	7.15 lb (3.2 kg)	
Max Run (10 A)	48 sets	12 sets

Hanging Instructions

Built-in eyelet will accommodate cable, rope, etc. up to 5/8 in. (16 mm) in diameter.



Linking Instructions

Lights can be linked in a run which uses 10 A or less of total current. The number of lights will vary based on part number (see spec table above). To link lights, simply remove plug end from one light string and the cap from another and connect the two. When linking lights, make sure connector is fully engaged and tightened so cord can't accidentally become unplugged or allow water intrusion.

