



T5HO LED Tube - 54W Equivalent

Ballast Compatible

T5HOA-30K27S-GPC

T5HOA-40K27S-GPC

T5HOA-50K27S-GPC

Installation Manual



Important: Read all instructions prior to installation.

T5HO LED Tube - 54W Equivalent - Ballast Compatible

Summary

LED T5HO tubes are long-lasting, high-quality lighting alternatives to fluorescent tube lights. This lamp only operates using electronic ballasts. Perfect for office lighting, school lighting, hospital lighting, and factory lighting.

Specifications

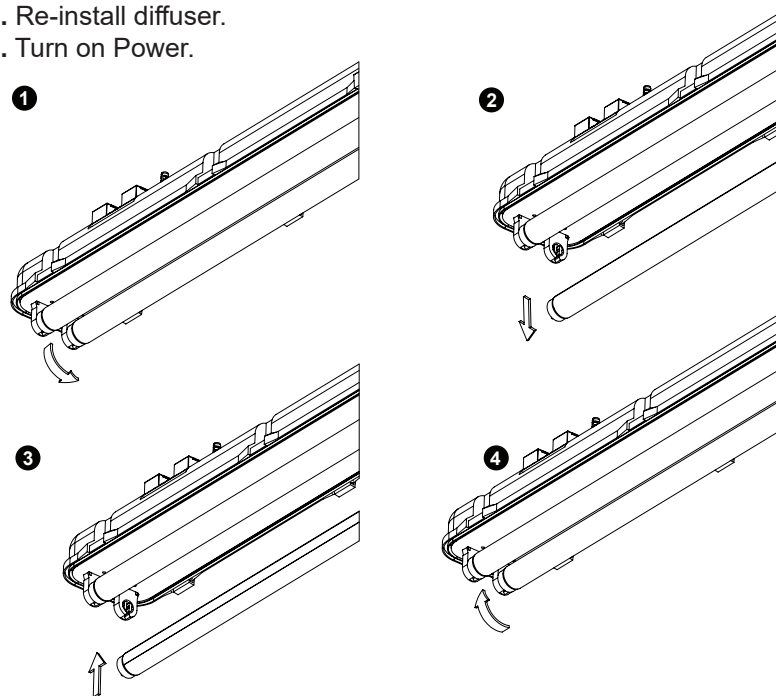
Specifications	T5HOA-30K27S-GPC	T5HOA-40K27S-GPC	T5HOA-50K27S-GPC
Total Power Consumption	27 Watts		
Operating Temperature	-4~113°F (-20~45 °C)		
IP Rating	IP44		
Dimmable	No		
Weight	0.32 lb (145 g)		

Caution

- Do not install lamp in a pre-heat luminaire.
- This lamp only operates using electronic ballasts. If lamp does not light when luminaire is energized, remove lamp from luminaire and contact lamp manufacturer or a qualified electrician
- This device is not intended for use with emergency exits or for emergency lighting.
- This device complies with part 15 of the FCC rules. Operation is subject to the following two conditions: (1) This device may not cause harmful interference, and (2) This device must accept any interference received, including interference that may cause undesired operation.

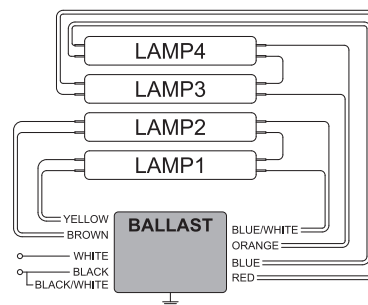
Installation Instructions

1. Remove power from the fixture before replacing lamps.
2. Remove Diffuser.
3. Remove fluorescent tubes and dispose of properly. ① ②
4. Install LED tubes into the fixture. Make sure white stripe on tube faces upward. ③ ④
5. Re-install diffuser.
6. Turn on Power.

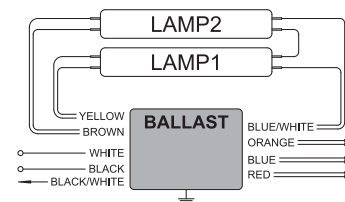


Wiring Diagram

Refer to ballast manufacturer's wiring diagram for proper connections. Examples shown below.



For four/three lamp application connect the black/white and black wires together



For two lamp application cap the black/white lead