

Important: Read all instructions prior to installation.

Color Chasing RGB LED Flexible Light Strip Kit

Parts Included

- 1 - Color Chasing RGB LED Light Strip (SWDC-RGB-240)
- 1 - Color Chasing RGB Controller w/ RF Remote (MCB-RGB-DC99)
- 1 - 12VDC 60W Desktop Power Supply (CPS-12V-60W)
- 10 - Mounting Clips w/ Two Screws Each (SWDC-MC-K)

Remote Functions

1. Power Input

The power supply input. The DC jack's inner pin is positive and outer sleeve is negative.

2. Signal Output

Black / Ground, Green / Clock, Red / Data, Blue / 12V+

3. Mode Adjust

Adjusts running mode. Jump to the next mode by pressing 'MODE+' or jump to the previous mode by pressing 'MODE-'.

4. Speed (Brightness) Adjust

Adjusts the running speed of a dynamic mode or the brightness of a static color. There are 10 different levels for both speed and brightness.

5. Pause / Play

Toggles between Play and Pause modes. The button will also quit pause mode and start to play if the running mode is changed.

6. Turn On / Standby

Turns on or switches to standby mode. The main unit will memorize the current setting. When power is restored to the unit, it will automatically restore to the previous state.

7. Unit Length (Static Color) Adjust

Adjusts playing unit length during dynamic modes or adjusts the color during static color modes. On static color mode, press these keys to access one of 29 preset colors.

8. Program direct selecting keys

User can directly select a program by the Enter and Number keys. For example, if you want program #58, press number 5 and then 8. Press Enter key to send the command.

9. Static Color Mode

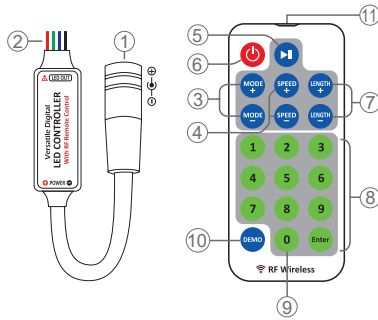
User can directly select a program by the Enter and Number keys. For example, if you want program #58, press number 5 and then 8. Press Enter key to send the command.

10. Demo Mode

Switch to demo mode. In demo mode, the controller will automatically cycle through 99 dynamic programs.

11. Remote Controller indicator

The blue indicator will light up when remote controller is sending a command. When directly selecting a pattern with the 0-9 buttons, the blue indicator will flash up to seven times before the last key input is ignored. All digits and enter need to be input with no more than 7 seconds between button presses.



Remote Pairing

The controller and remote is 1 to 1 paired as default. The controller can only be controlled by a paired remote. When an extra remote is needed or the controller needs to be matched to any remote, the user can match the remote by following the instructions below.

Pairing a New Remote

Unplug the controller power and plug in again after 10 seconds. Press the 'MODE-' and 'LENGTH-' keys at same time once within 5 seconds after the power is on, then release the keys and press the 'MODE+' key once within another 5 seconds. The controller can be paired to maximum 5 remotes.

Pairing a Any Remote

Unplug the controller power and plug in again after 10 seconds. Press the 'MODE-' and 'LENGTH-' keys at same time once within 5 seconds after power is on, then release the keys and press the 'DEMO' key once within another 5 seconds.

Pairing to One Remote

Unplug controller power and plug in again after 10 seconds. Press the 'MODE-' and 'LENGTH-' keys at the same time once within 5 seconds after power is on, then release the keys and press 'SPEED-' key once within another 5 seconds.

Installation Instructions

Pre-test LED Configure

Remove strip from the reel and make connections to the controller and power supply (see "Method 1" diagram). Briefly turn on the strip using the included remote control to ensure proper operation of the strip, controller, power supply, and remote.

See Method 1 diagram for a guide to installing and connecting LED strip to included controller and power supply for your application.

Choose your desired yet suitable location for the power supply and controller. Controller can be hidden for use with RF remote control. Use mounting clips to secure the LED strip to a surface.

Power Supply

The power supply jack is a 5.5mm diameter DC socket. The main unit can work at DC 5V to 24V. Since the power supply is directly connected to the LED signal output, please make sure the power voltage is same as the LED strip, otherwise the incorrect voltage may damage LED strip. In this case you will want a 12 VDC power supply for the strip and controller.

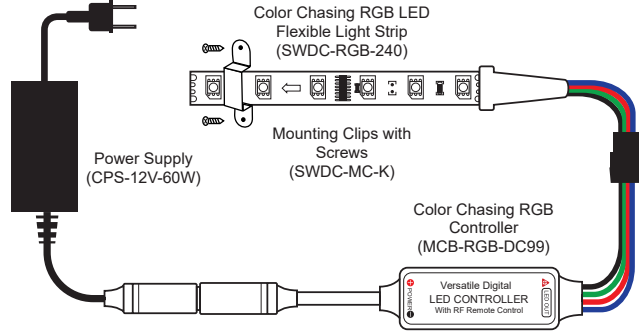
Output Signal

The output signal is in a SM type plug. The cable at the '⚠' maker side is power supply, the cable sequence is power-data-clock-ground. The control signals are running at high speed, LEDs may not work properly if the data cable is too long or gets interfered with. In this case, shorten the data cable from controller to LED or install the controller close to the LED strip.

Important: Read all instructions prior to installation.

Color Chasing RGB LED Flexible Light Strip Kit

Connections Method 1 (Single 5m Strip)



FCC Statement

This device complies with part 15 of the FCC Rules. Operation is subject to the following two conditions: (1) This device may not cause harmful interference, and (2) This device must accept any interference received, including interference that may cause undesired operation. Any changes or modifications in construction of this device which are not expressly approved by the party responsible for compliance could void the user's authority to operate the equipment.

Connections Method 2 (Multiple 5m Strip)

