

Tunable White LED Flexible Light Strip

Part Number: STW-H80-B12F-10C5M-24V



Features

Features **3528** high powered LEDs

24 VDC operating voltage

LED Light Strip features **adhesive backing** & **cuttable 12-LED segments** for easy installation

120° optics improve visibility with wider area illumination

Applications include back lighting, task lighting, cove lighting, retail, sign illumination, under cabinet, display case, accent decor, and automotive accents



Standards and Certifications



Accessories



Remote Dimmers & Switches



Strip Connectors



Mounting Hardware & Extrusions



Power Supplies

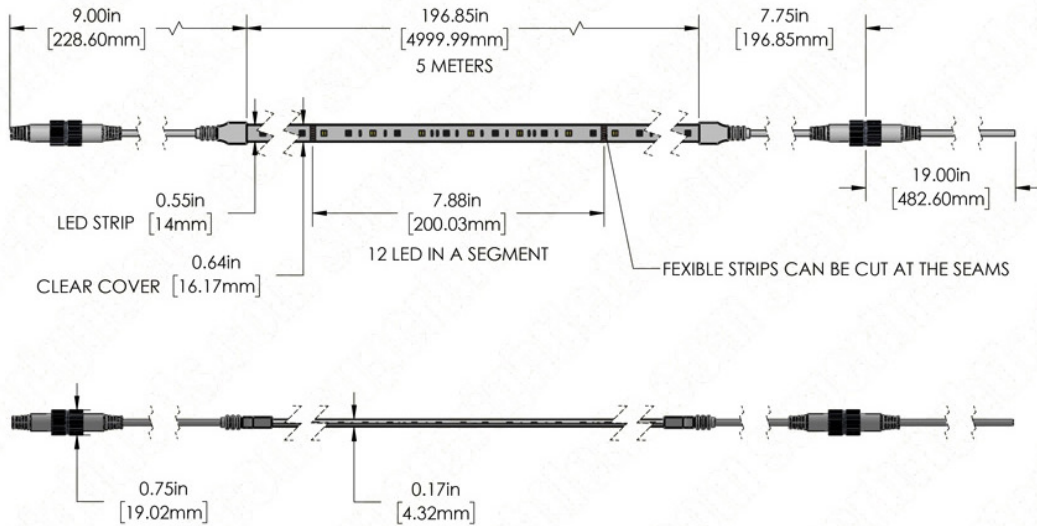
General Product Specifications

Beam Angle	120 Degree	Color	1 Option
LED Type	3528 SMD	LED Lifetime	50000 Hours
Voltage	24 VDC	Strip Width	10mm (0.39in)
LEDs Per Segment	12	Length	196.9in (16.40ft)
IP/Environmental Rating	IP 67 Weatherproof	LED Density	36 LEDs/ft.
Wire Length	483mm (19in)	CRI	80+

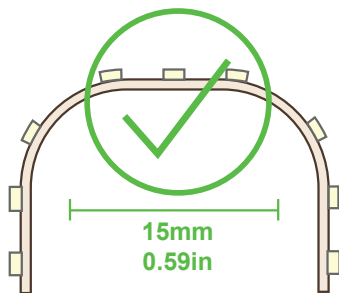
Product Specifications

Color Options	LED Wavelength	Available Length
STW-H80-B12F-10C5M-24V	Tunable White	196.9in (16.40ft)

Dimensions

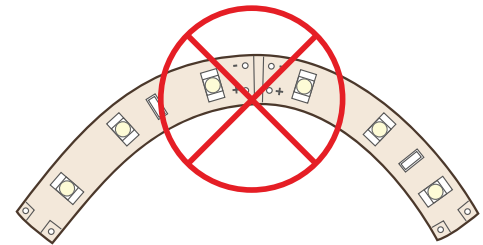
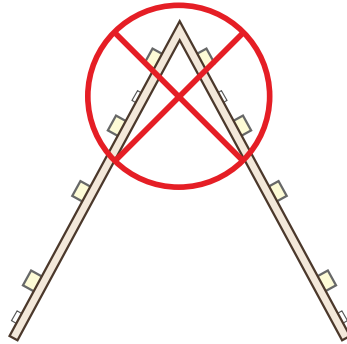


Maximum Flexibility Precaution



NOTE: More than 15mm of space is ok, less than 15mm will damage circuit traces and void warranty.

NOTE: Do not bend flexible strips at sharp angles, this will damage circuit traces and void warranty.



NOTE: Do not bend Flexible Strips on horizontal plane, this will damage circuit traces and void warranty.