

# RGB+Tunable White LED Flexible Light Strip

Part Number: STW-G80-A12E-14B5M-24V



## Features

Features **5050** high powered LEDs

24 VDC operating voltage

LED Light Strip features **adhesive backing** & **cuttable 12-LED segments** for easy installation

**120° optics** improve visibility with wider area illumination

Applications include back lighting, task lighting, cove lighting, retail, sign illumination, under cabinet, display case, accent decor, and automotive accents



## Standards and Certifications



## Accessories



Remote Dimmers & Switches



Strip Connectors



Mounting Hardware & Extrusions



Power Supplies

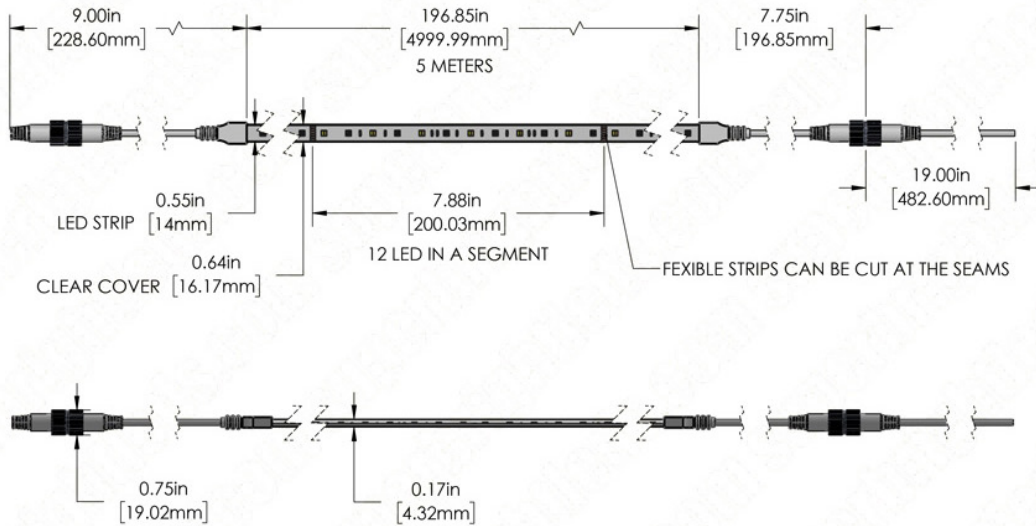
## General Product Specifications

Beam Angle	120 Degree	Color	1 Option
LED Type	5050 SMD	LED Lifetime	50000 Hours
Voltage	24 VDC	Strip Width	14mm (0.55in)
LEDs Per Segment	12	Length	196.9in (16.40ft)
IP/Environmental Rating	IP 67 Weatherproof	LED Density	18 LEDs/ft.
Wire Length	508mm (20in)	CRI	80+

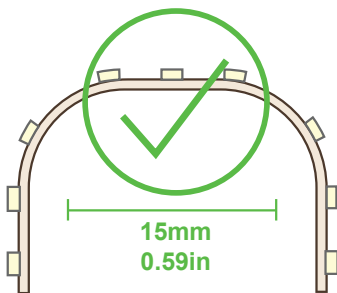
## Product Specifications

Color Options	LED Wavelength	Available Length
STW-G80-A12E-14B5M-24V	RGB+ Tunable White	196.9in (16.40ft)

## Dimensions

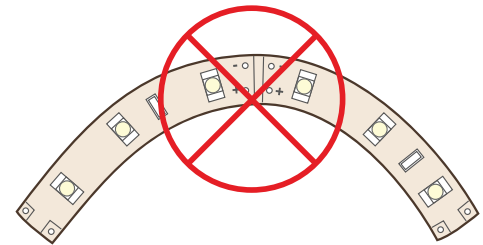
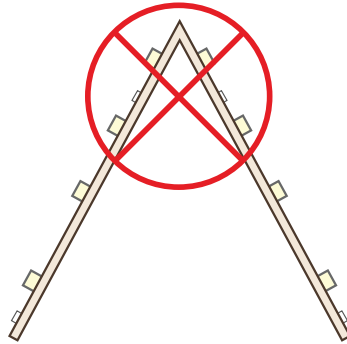


## Maximum Flexibility Precaution



**NOTE:** More than 15mm of space is ok, less than 15mm will damage circuit traces and void warranty.

**NOTE:** Do not bend flexible strips at sharp angles, this will damage circuit traces and void warranty.



**NOTE:** Do not bend Flexible Strips on horizontal plane, this will damage circuit traces and void warranty.