

Important: Read all instructions prior to installation.

LED Strobe Light Head

Parts Included

- 1 - LED strobe light head
- 1 - mounting bracket
- 1 - hardware kit (to attach strobe head to mounting bracket)



Accessories

- Strobe Switch (AMSB-2M-PT)
- Fuse Holder (WMFH)
- Fuse (MAF-x)

Safety and Notes

- To reduce risk of electric shock, ensure that battery is disconnected before performing any installation procedures.
- When linking multiple lights with a common wire, make sure to select wire appropriately sized for intended load and run of the wire.
- Avoid looking directly into lamp when illuminated.

Specifications

STSC-x6	
Voltage	12-24 VDC
Current Draw	600 mA (0.6 A) @12 VDC
IP Rating	IP67
Wire Length	15 in. (381 mm)
Recommended Fuse Rating	1A /Light Head
Operating Temperature	-22°-122° F (-30°-50° C)

Installation and Operation

Setting Group

Strobes can be set in two groups, so they flash in an alternating pattern. Strobes in same group will flash together.

1. Prior to installation and with strobe grounded, apply power to red and yellow wire simultaneously. Light will flash once for group 1 and twice for group 2.
2. Remove yellow wire from power and then momentarily reapply power to change group. Light will remain in its set group until the process is repeated.

Changing Flash Patterns

1. Once each light is set to desired group, complete main power and ground wiring.
2. Connect common wire that runs from yellow wire on each light to a momentary switch.

Note: Supply side of switch should only be connected to fused power.

3. Apply main power to turn strobes on, then use momentary switch to cycle through patterns.

Flash Patterns

Pattern	Pattern Name
1	Six Flash
2	Quad Flash
3	Double Flash
4	Six Flash (Speed)
5	Single Flash-R65
6	Triple Flash
7	Double Flash (Speed)
8	Quad Flash (Speed)
9	R/L Flash
10	Double Flash (R/L)
11	Six Flash (R/L)
12	Riple Flash (R/L -Speed)

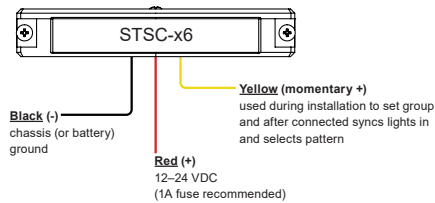


Important: Read all instructions prior to installation.

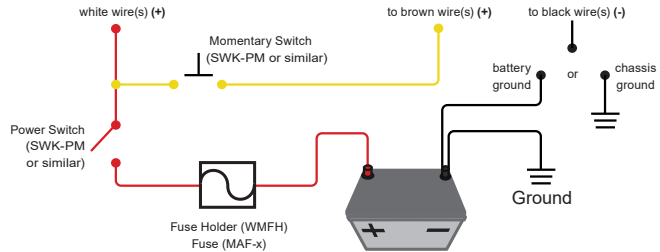
LED Strobe Light Head

Wiring

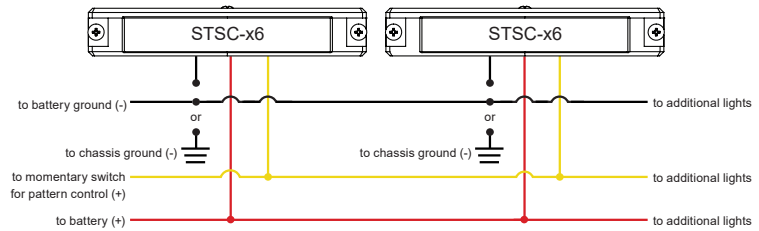
Wiring Diagram



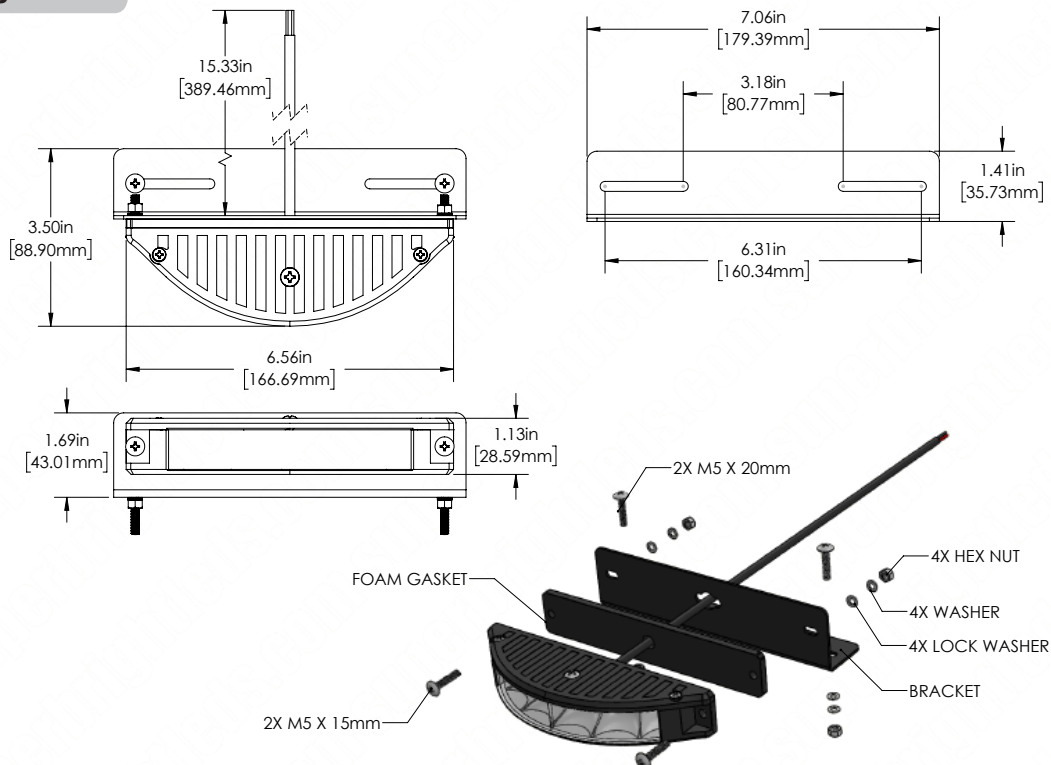
Strobe Light Switch and Power Supply Diagram



Multiple Synced Light Systems



Dimensional Diagram



Rev Date: V1 04/05/2019

4400 Earth City Expy, St. Louis, MO 63045 • 866-590-3533 • superbrightleds.com

