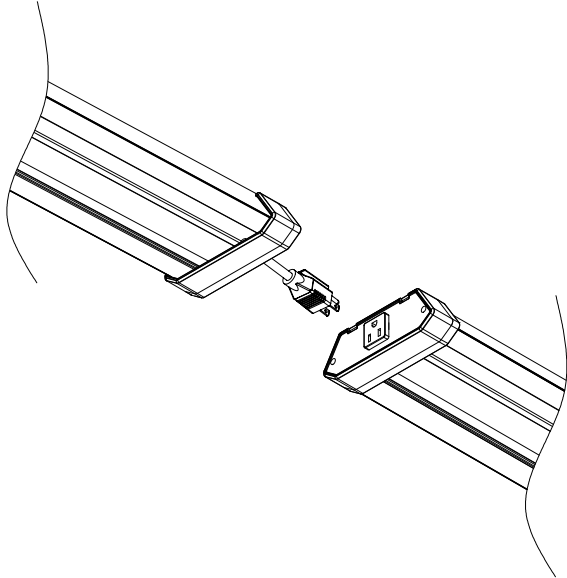


Important: Read all instructions prior to installation.

Linkable LED Shop Light

Linking Fixtures Together

Lights can be plugged end to end to allow multiple lights to operate off of one power source. While supply power can be linked (up to ten lights), each light is still actuated by its own individual pull chain.



Linkable LED Shop Light

SLLP-NW4-42

User Manual



Important: Read all instructions prior to installation.

Linkable LED Shop Light

Included Parts

- 1 - 4' LED Shop Light
- 2 - 12" Chain
- 4 - "S" Hook
- 2 - Ceiling Hook

Safety and Notes

- This product should be installed in accordance with applicable national, state, and local building and electrical codes.
- To reduce the risk of electric shock, ensure that the main power source is switched off before performing any installation procedures.
- Avoid looking directly into the lamp when illuminated.
- Ensure all mounts are securely attached and will support the weight of the fixture. Failure to properly support the fixture may result in damage or injury, for which the manufacturer does not assume responsibility.
- While supply power can be linked (up to ten lights), each light is still actuated by its own individual pull chain.
- Do not install in a location that is damp or in proximity to a radiant heater.
- Do not install on a dimming circuit.

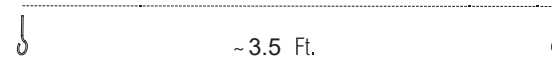
Specifications

SLLP-NW4-42	
Operating Voltage	120 VAC
Total Power Consumption	42 Watts
Current Draw @ 120VAC	0.365 A
Connection Type	5-15P plug
Dimmable	No
Environmental Rating	Suitable for damp locations
Operating Temperature	-4°-104° F(-20°-40° C)
Fixture Weight	5.2lbs (2.3 Kg)

Installation Instructions

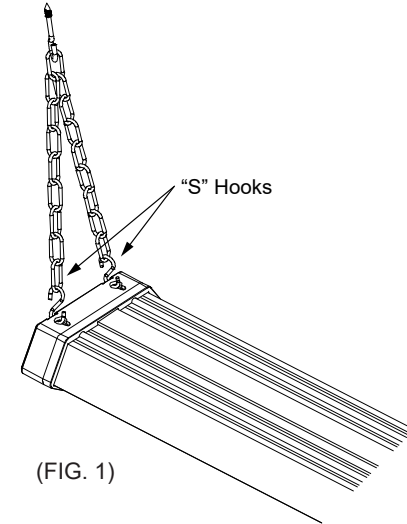
Attach Ceiling Hooks

1. Choose desired location of light fixture. For an unfinished ceiling, use a pencil to mark where each ceiling hook should go. Drill 1/16th pilot holes and screw hooks approximately 3.5ft apart.
2. For finished ceiling, use drywall anchors or toggle bolts (not included), or locate joists and install as in step 1 above.



Attach "S" Hooks

1. Insert "S" hooks into holes on both ends of shop light. (FIG. 1)



Attach Hanging Chain

1. Assemble hanging chains as show in FIG. 2 below.
2. Crimp all "S" hooks closed (FIG. 3)
3. Plug power cord into outlet. Use pull chain to power on.

