

Important: Read all instructions prior to installation.

Wireless LED Controller with Strobe Modes and Wireless RF Remote

Parts Included

- 1 - RCS-RF25A Receiver
- 1 - RCS-RF-R Key Fob Remote
- 1 - Double Sided Mounting Tape
- 1 - Instructions

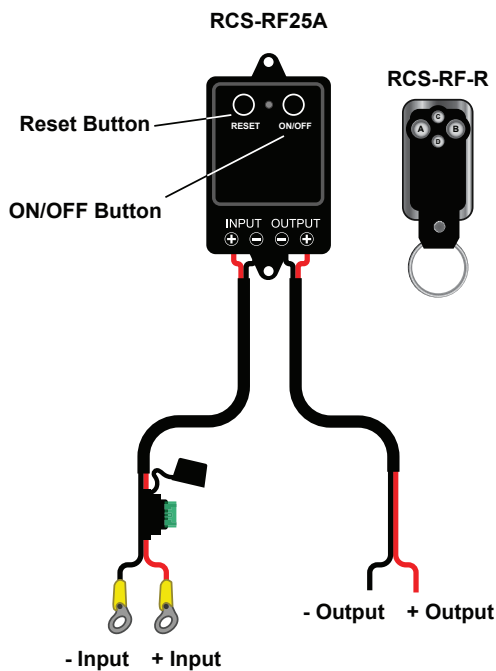
Specifications

Working Voltage	10~30 VDC
Max Current Load	25 Amps
Fuse Rating	30 Amps
Remote Range	Up to 50M (164 ft)
Operating Temperature	-30° ~ 70°C (-86° ~ 158°F)
Battery Type	12 Volt 27A
Frequency	433.92 MHz
FCC ID	2AFS5T-RC002

FCC Statement

This device complies with part 15 of the FCC Rules. Operation is subject to the following two conditions: (1) This device may not cause harmful interference, and (2) This device must accept any interference received, including interference that may cause undesired operation. Any changes or modifications in construction of this device which are not expressly approved by the party responsible for compliance could void the user's authority to operate the equipment.

Wiring



Controller Buttons

Reset Button: Used for pairing remote controls

ON/OFF Button:
Turns the LED light on or off

Remote Control Buttons

1. Button A: Light On/Off
2. Button B: Mode Advance Forward
3. Button C: Mode Advance Backward
4. Button D: SOS Mode

Remote Strobe Modes

Button A: Static On/Off Mode (No Flashing)

Button B~C:

1. Three Quick Flashes Pause Mode ((On 40ms + Off 40ms)x3 + Off 240ms)
2. Forty One Quick Flashes, Ten Long Flashes ((On 40ms + Off 40ms)x41 + (On 300ms + Off 300ms)x10)
3. Short Alternating Flash Mode (On 250ms + Off 250ms)
4. ON/Off/On Pause Mode (On 150ms + Off 150ms + On 150ms + Off 650ms)
5. Medium Alternating Flash Mode (On 330ms + Off 330ms)
6. Decreasing Speed Flash Mode ((On 40ms + Off 40ms) + (On 42ms +Off 42ms) +(On 44ms +Off 44ms) + + (On 398ms + Off 400ms))
7. Long Alternating Flash Mode (On 500ms + Off 500ms)
8. Increasing Speed Flash Mode ((On 400ms + Off 398ms) + (On 396ms + Off 394ms) + + (On 42ms + Off 40ms))
9. Additive Flashing Mode ((On 40ms + Off 40ms)x1 + Off 460ms + (On 40ms + Off 40ms)x2 + Off 460ms + (On 40ms + Off 40ms)x3 + Off 460ms + + (On 40ms + Off 40ms)x10 + Off 460ms)

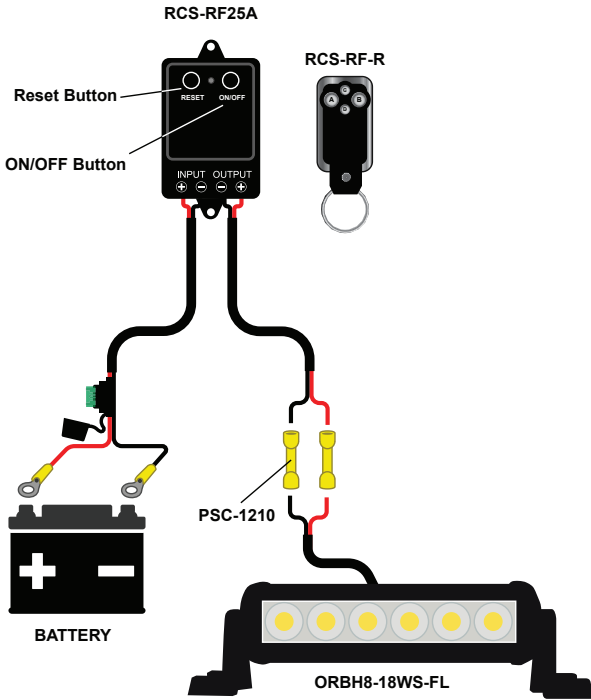
Button D: SOS Mode On/Off ((On 200ms + Off 200ms)x3 + Off 300ms + (On 400ms + Off 200ms)x3 + Off 300ms + (On 200ms + Off 200ms) x3 + Off 1100ms)

Pairing the Remote & Receiver

1. Complete wiring installation and power on controller.
2. Press the Reset button on top of the RCS-RF25A receiver and release. The light will flash twice.
3. Press any button on the remote within five seconds, the light will flash three times indicating the pairing is complete.
4. To erase the programming from memory simply press and hold the Reset button on the RCS-RF25A until the light flashes five times.

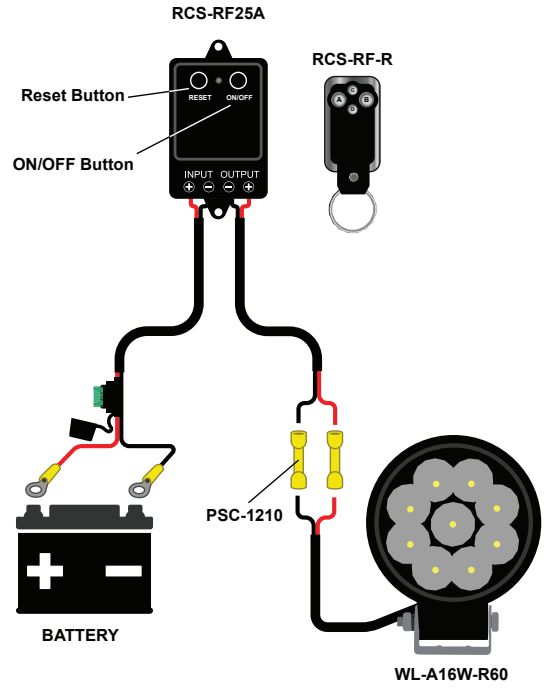
Wiring Example 1

Constant White Light Bar with Strobe Modes



Wiring Example 2

Constant Amber Work Light with Strobe Modes



Wiring Example 3

Dual Color Light Bar with Constant White and Constant or Strobing Amber

