

*Important: Read all instructions prior to installation.*

PLMB-xK3BR

## Bollard Style LED Landscape Lights

### Troubleshooting

Problem	Possible Cause	Probable Solution
Fixture does not light	<ol style="list-style-type: none"> <li>1. There is no power to 12 V power supply.</li> <li>2. Wire connection loose.</li> <li>3. Primary landscape wire is not connected to 12 V power supply or wire has a disconnection.</li> <li>4. Minimum load requirement not met.</li> </ol>	<ol style="list-style-type: none"> <li>1. Check the outlet to 12 V power supply and ensure that a breaker or GFCI circuit has not been tripped.</li> <li>2. Check wiring to ensure it is securely connected.</li> <li>3. Check primary landscape wire connection to 12 V power supply. Next, follow wires from fixture to 12 V power supply to ensure continuous run and/or follow wires between problematic fixture and nearest working fixture.</li> <li>4. Consult power supply specifications/manual and make certain minimum load requirement is met.</li> </ol>
Light flickers (one fixture)	<ol style="list-style-type: none"> <li>1. There is a loose connection to primary landscape wire.</li> </ol>	<ol style="list-style-type: none"> <li>1. Check wire connections.</li> </ol>
Light flickers (multiple fixtures)	<ol style="list-style-type: none"> <li>1. There is a loose connection to 12 V power supply.</li> <li>2. Minimum load requirement not met.</li> </ol>	<ol style="list-style-type: none"> <li>1. Disconnect power to power supply. Check primary landscape wire for loose connections or possible short.</li> <li>2. Consult power supply specifications/manual and make certain minimum load requirement is met.</li> </ol>
Light is dim	<ol style="list-style-type: none"> <li>1. Maximum load of 12 V power supply has been exceeded.</li> <li>2. Recommended run length of the landscape wire has been exceeded.</li> </ol>	<ol style="list-style-type: none"> <li>1. Check for other lights or load on same system and/or increase 12 V power supply wattage.</li> <li>2. Increase primary landscape wire gauge size.</li> </ol>

\* For superbrightleds.com technical help call 866-590-3533 or use our online chat service.

## Bollard Style LED Landscape Lights

### PLMB-xK3BR User Manual



Important: Read all instructions prior to installation.

PLMB-xK3BR

## Bollard Style LED Landscape Lights

### Safety and Notes

- For use with outdoor, low-voltage landscape lighting systems only.
- Do not submerge in water—not for use with submersible or pool/spa equipment.
- Light fixture is only compatible with 12-Volt AC or DC power supply. Do not exceed 80% cvof power supply max output..
- Use appropriate landscape wire. (SBL product numbers WP14-2DB or WP12-2DB)

### Parts Included

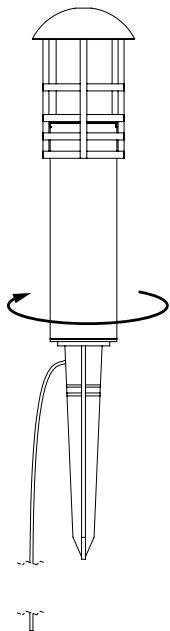
- 1- Low-Voltage Bollard Style Light
- 1 - Mounting Stake

### Recommended Accessories

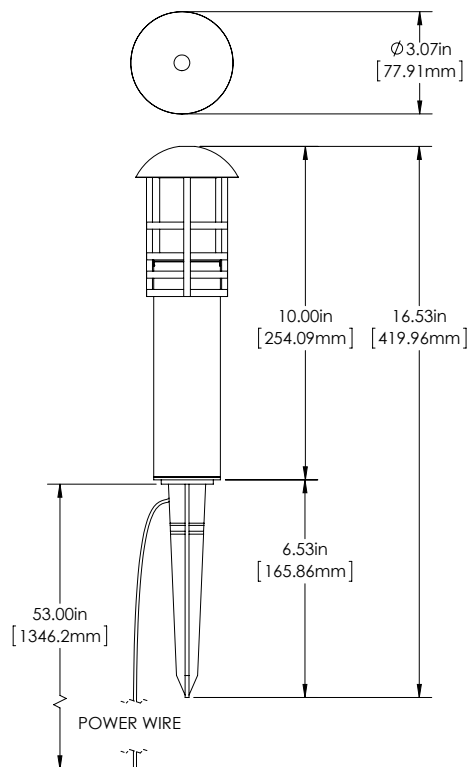
SBL Part No.	Description
WWN-2212	Silicone Filled Wire nut
SFT-20	Self Fusing Silicone Tape
WP14-2DB	14 Gauge Landscape Wire
WP12-2DB	12 Gauge Landscape Wire

### Assembly

1. Thread fixture onto stake.

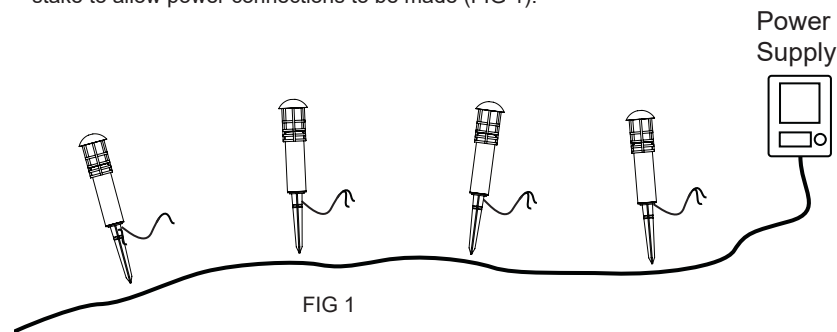


### Dimensional Drawings



### Installation Instructions

1. After assembly, lay fixtures out as they will be installed.
2. Run landscape wire (WP14-2DB or WP12-2DB available at superbrightleds.com) from 12 V supply past each light. Wire must be within 52" of mounting stake to allow power connections to be made (FIG 1).



3. Properly connect each light to landscape wire. Wrap all connections in self-fusing tape (available at superbrightleds.com).
4. Using a trowel (and water as needed), loosen ground where fixture will be installed. Gripping the stake ONLY, press stake into ground (FIG 2).

Caution: Do not use a hammer or exert force on fixture itself during installation as doing so may cause damage.

5. Turn on 12 V supply and ensure all fixtures are working. If there are any issues, refer to the troubleshooting guide in this manual.
6. Dig a small channel—depth of 3" is recommended—and bury landscape wiring and connections. Stone and mulch are also suitable coverings.

