

**Important: Read all instructions prior to installation.**

## LED Parking Lot/Area Light



PLLD3-50K300-S30T3-BRSF

### Safety and Notes

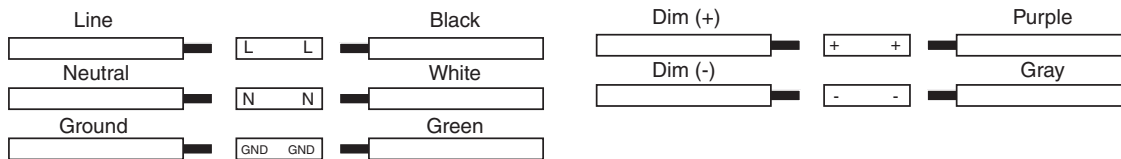
- Product should be installed and serviced by a certified electrician in accordance with applicable national, state, and local building and electrical codes.
- To reduce the risk of electric shock, ensure that the main power source and circuit breakers are switched off before performing any installation or wiring procedures.
- Avoid looking directly into lamp when illuminated.
- Ensure all mounts are securely attached and will support the weight of the fixture. Failure to properly support fixture may result in damage or injury, for which the manufacturer does not assume responsibility.

### Specifications

Environmental Specifications	
Operating Temperature	-40°–122° F(-40°–50° C)
IP Rating	IP65

Check product label for specific electrical specifications related to installation. Improper installation will void warranty.

### Wiring Diagram



### Mounting Options

Adjustable Slip-fitter/Pole Mount (PLLD3-SFPM)



Wall/Trunion Mount (PLLD3-WM)



Adjustable Pole Mount (PLLD3-APM)



U-bracket/Yoke Mount (PLLD3-FM1 and PLLD3-FM2)



**Important:** Read all instructions prior to installation.

## LED Parking Lot/Area Light

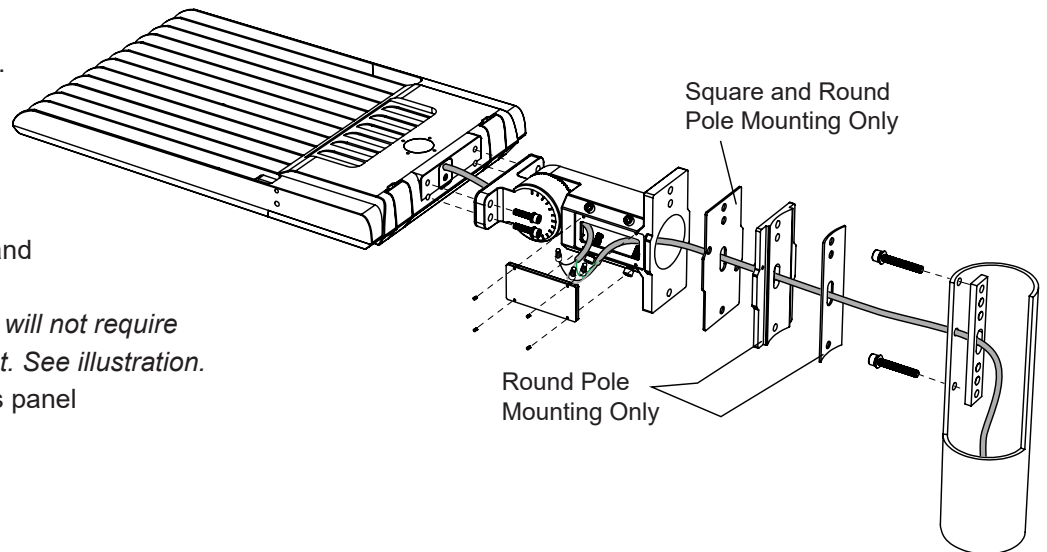
### Pole/Post Knuckle Mount (PLLD3-SFPM) Installation

#### Pole/Post Installation

1. Remove included slip-fitter mount.
2. Disassemble mount and run wiring through it.
3. Reassemble mount.
4. Attach mount to light.
5. Drill mounting holes in pole/post and attach mount.

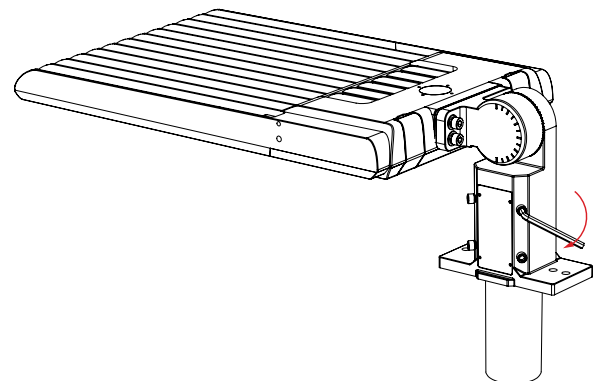
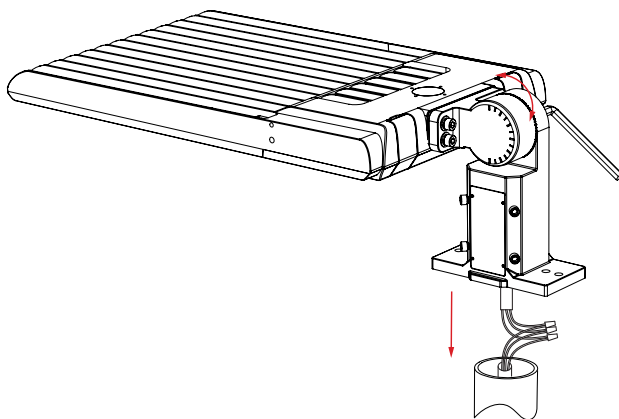
*Note: Installation on square poles will not require round pole adapter plate or gasket. See illustration.*

6. With supply power off, use access panel to connect wiring.
7. Rotate light to desired angle and tighten adjustment screw.



#### Slip-fitter Installation

1. Remove included slip-fitter mount.
  2. Disassemble mount and run wiring through it.
  3. Reassemble mount.
- Note: Discard Pole/Post mount components.*
4. Attach mount to light.
  5. With supply power off, connect wiring.
  6. Slide mount over pole/post and secure in place. The maximum pole/post diameter is 2.375 in.
  7. Rotate light to desired angle and tighten adjustment screw.

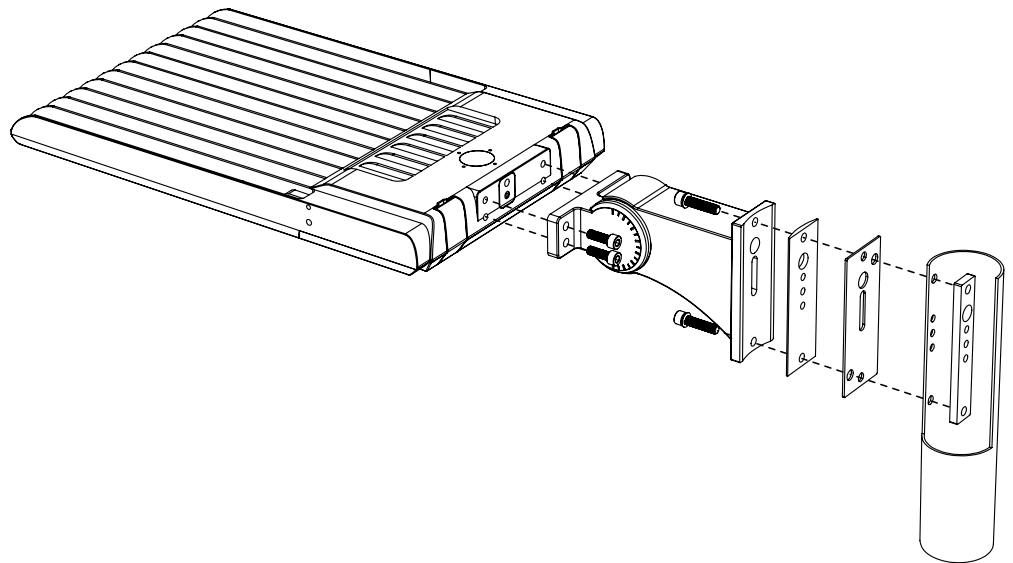


*Important: Read all instructions prior to installation.*

## LED Parking Lot/Area Light

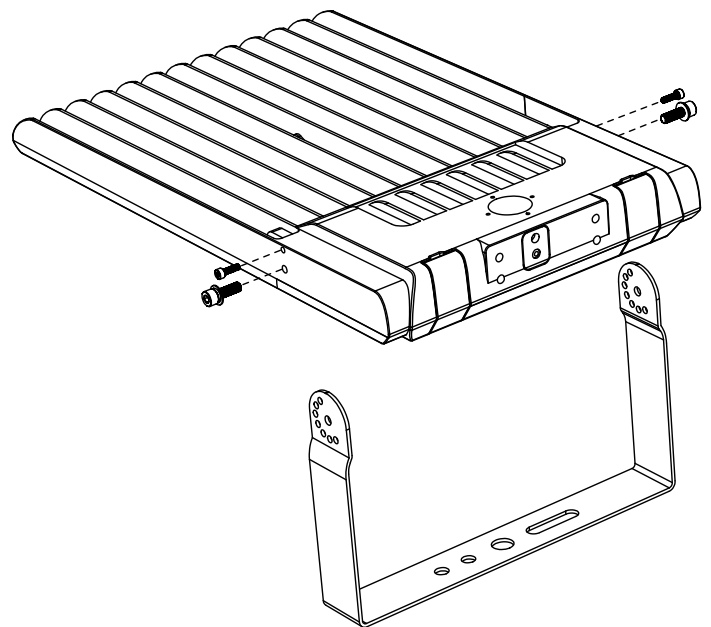
### Adjustable Pole/Post Mount (PLLD3-APM) Installation

1. Remove included slip-fitter mount.
2. Remove side access plate cover on mount.
3. Run wiring through the flange that attaches to the light.
4. Secure flange to light.
5. Make appropriate mounting and wiring holes in pole/post and attach mount to pole/post.
6. With supply power off, use side access to connect wiring.
7. Loosen adjustment bolt to adjust angle. Rotate light to desired angle and tighten adjustment screw.
8. Re-install side access plate cover.



### U-bracket/Yoke Mount (PLLD3-FM1, PLLD3-FM2) Installation

1. Remove included slip-fitter mount.
2. Use U-bracket mount as a template to make mounting holes on wall/surface and install hardware.
3. Attach the light to the bracket.
4. Mount light to surface.
5. With supply power off, connect wiring.
6. Once installation is complete, the position locking bolts can be removed and the center trunnion bolts can be loosened to adjust the mounting angle of the light. Reinstall the position locking bolts and retighten center bolt when the desired angle is achieved.



*Important: Read all instructions prior to installation.*

## LED Parking Lot/Area Light

### Trunnion Wall/Surface Mount (PLLD3-WM) Installation

1. Remove included slip-fitter mount.
2. Use trunnion mount as a template to make mounting holes on wall/surface and install hardware.
3. Run wiring through the flange then attach the light to the bracket.
4. Mount light to surface.
5. With supply power off, connect wiring.
6. Once installation is complete, the position locking bolts can be removed and the center trunnion bolts can be loosened to adjust the mounting angle of the light. Reinstall the position locking bolts and retighten center bolt when the desired angle is achieved.

