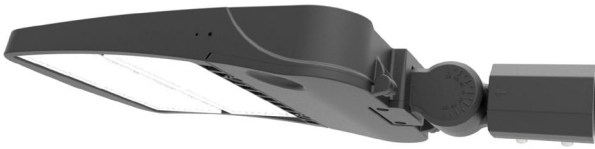


PLLD2 Series

LED Parking Lot/Area Light Specifications

Project _____

Date _____ Type _____



PLLD2-50K150-H3-SF

Features

- 100-277 VAC
- L70 rated 50,000 hour lifetime
- IP65 rated water resistance

Construction

These are manufactured with a durable aluminum housing and polycarbonate lenses.

Application

Easily replaces traditional metal halide shoebox area/parking lot lights. These work well to light streets, pathways, building facades, and other large areas.

Output Equivalencies

PLLD2-50K100-H3	250 W metal-halide
PLLD2-50K150-H3	400 W metal-halide
PLLD2-50K200-H3	750 W metal-halide
PLLD2-50K240-H3	750 W metal-halide
PLLD2-50K300-H3	1,000 W metal-halide
PLLD2-50K480-H3	2,000 W metal-halide

Warranty

Five (5) Year Warranty

Certifications and Compliances

These lights are UL Listed in compliance with UL 1598 (IFAM) and are listed as DLC Premium.



Available Configurations¹

A single area light configuration consists of (1) light and (1) mount. The “x” in the light part number represents either “40K” or “50K” denoting color temperature. The mount option appears as a suffix after the light part number. Mount and area light will ship as individual components.

light

- PLLD2-xK100-H3
- PLLD2-xK150-H3
- PLLD2-xK200-H3
- PLLD2-xK240-H3
- PLLD2-xK300-H3
- PLLD2-xK480-H3

CCT

- 40K (4000K)
- 50K (5000K)

mount

- APM (adjustable pole mount PLLD2-APM)
- FPM (fixed pole mount PLLD2-FPM)
- SF (slipfitter mount PLLD2-SF)
- WM (wall/surface mount PLLD2-WM)

Part Number Breakdown

Example: PLLD2-50K240-H3-WM

Family	Color Temperature	Wattage	Lens Type
PLLD2	40K [4000K] or 50K [5000K]	100 [100 W]	H3 [type III-M]
		150 [150 W]	
		200 [200 W]	
		240 [240 W]	
		300 [300 W]	
		480 [480 W]	

Optional Accessories

Lenses

- PLLD2-LENS-1015-4S (type IV-S lens for 100 W, 150 W, and 300 W²)
- PLLD2-LENS-1015-5S (type V-S lens for 100 W, 150 W, and 300 W²)
- PLLD2-LENS-2024-4S (type IV-S lens for 200 W, 240 W, and 480 W²)
- PLLD2-LENS-2024-5S (type V-S lens for 200 W, 240 W, and 480 W²)

¹Contact customer service if interested in options other than those listed.

²300 W and 480 W models require two lenses per light



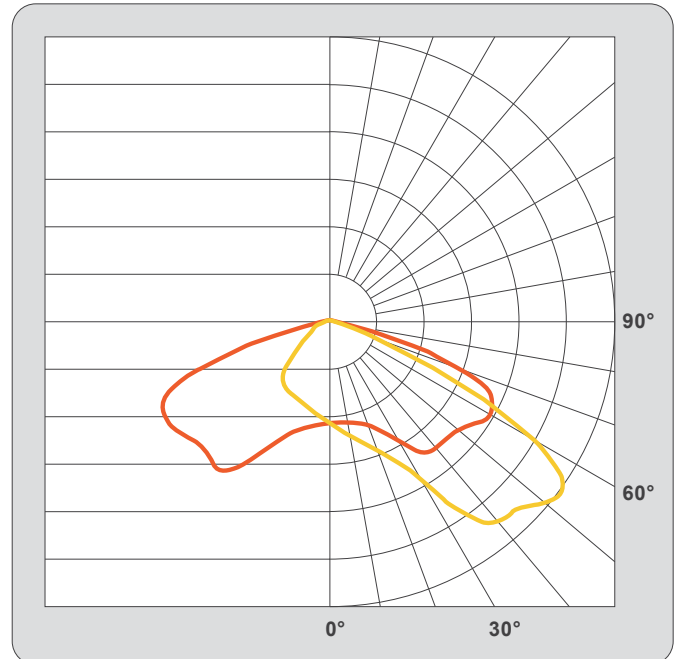
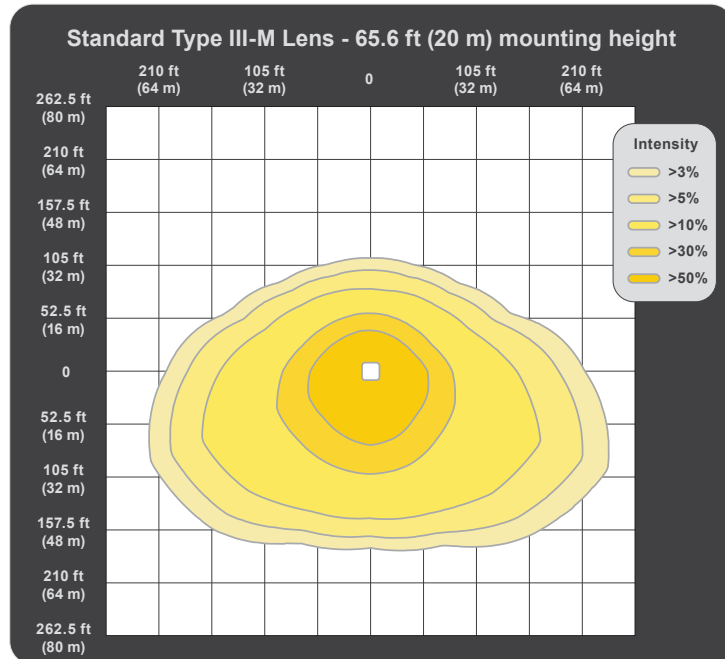
PLLD2 Series

LED Parking Lot/Area Light Specifications

Specifications

Model PLLD2-	xK100-H3	xK150-H3	xK200-H3	xK240-H3	xK300-H3	xK480-H3
Intensity	14,000 lm	20,400 lm	26,900 lm	32,200 lm	40,700 lm	67,000 lm
Operating Voltage	100-277 VAC					
Power Consumption	100 W	150 W	200 W	240 W	300 W	480 W
Current Draw @120 VAC	0.83 A	1.25 A	1.67 A	2 A	2.5 A	4 A
Efficacy	≥134 lm/W					
Available Color Temperature(s)	4000K or 5000K (as ordered)					
Light Distribution	Type III-M					
CRI	70+					
Dimming	1-10 V					
IP Rating	IP65					
Ambient Operating Temperature	-40°-122° F (-40°-50° C)					
Product Weight	9.15 lb (4.15 kg) ³		13.4 lb (6.1 kg) ³		17.6 lb (8 kg) ³	28.05 lb (12.7 kg) ³
Rated Life (L70)	50,000 hours					

Photometrics - Beam Angle



Additional model-specific photometric data available on site or upon request.

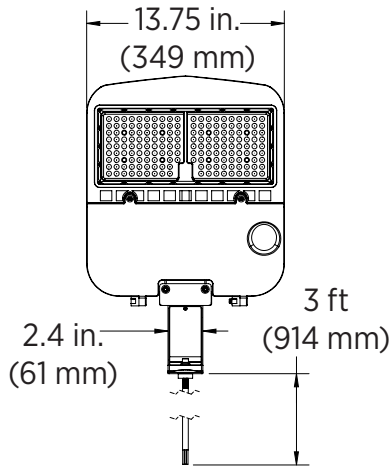
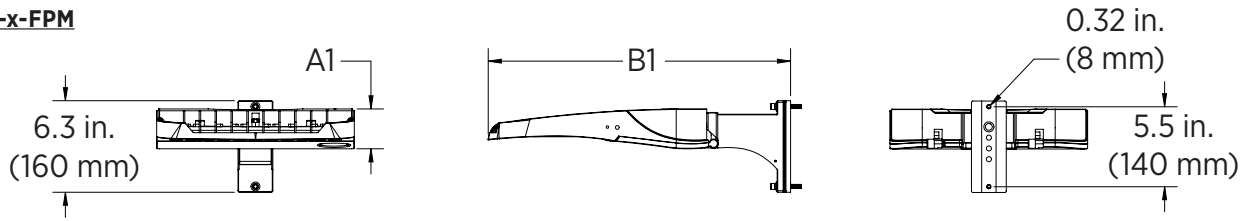
³Weight is for light only. Mount adds approximately 2.6-4 lb (1.2-1.8 kg) depending on style.

PLLD2 Series

LED Parking Lot/Area Light Specifications

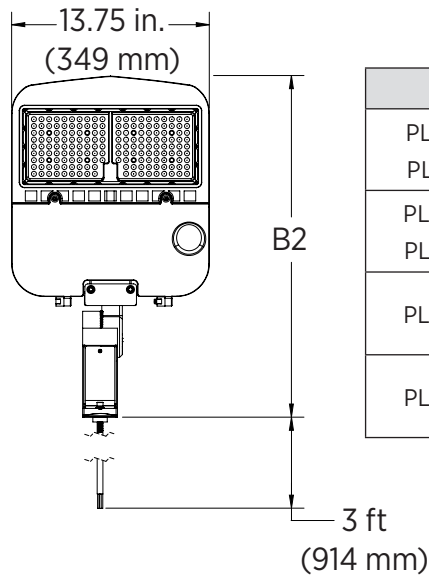
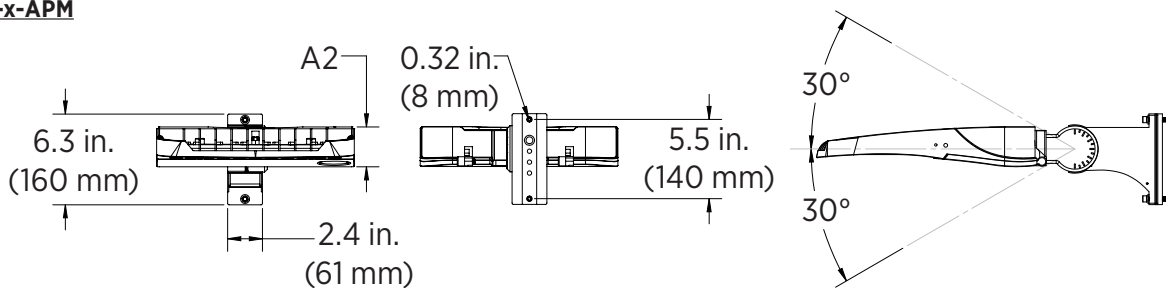
Dimensional Drawing

PLLD2-x-FPM



Model	Height (A1)	Length (B1)
PLLD2-50K100-H3 PLLD2-50K150-H3	2.8 in. (71 mm)	19.6 in. (498 mm)
PLLD2-50K200-H3 PLLD2-50K240-H3	3 in. (76 mm)	22 in. (559 mm)
PLLD2-50K300-H3	2.8 in. (71 mm)	27.1 in. (688 mm)
PLLD2-50K480-H3	3.6 in. (92 mm)	34.8 in. (884 mm)

PLLD2-x-APM



Model	Height (A2)	Length (B2)
PLLD2-50K100-H3 PLLD2-50K150-H3	2.8 in. (71 mm)	22.3 in. (566 mm)
PLLD2-50K200-H3 PLLD2-50K240-H3	3 in. (76 mm)	24.6 in. (625 mm)
PLLD2-50K300-H3	2.8 in. (71 mm)	29.7 in. (754 mm)
PLLD2-50K480-H3	3.6 in. (92 mm)	37.5 in. (953 mm)

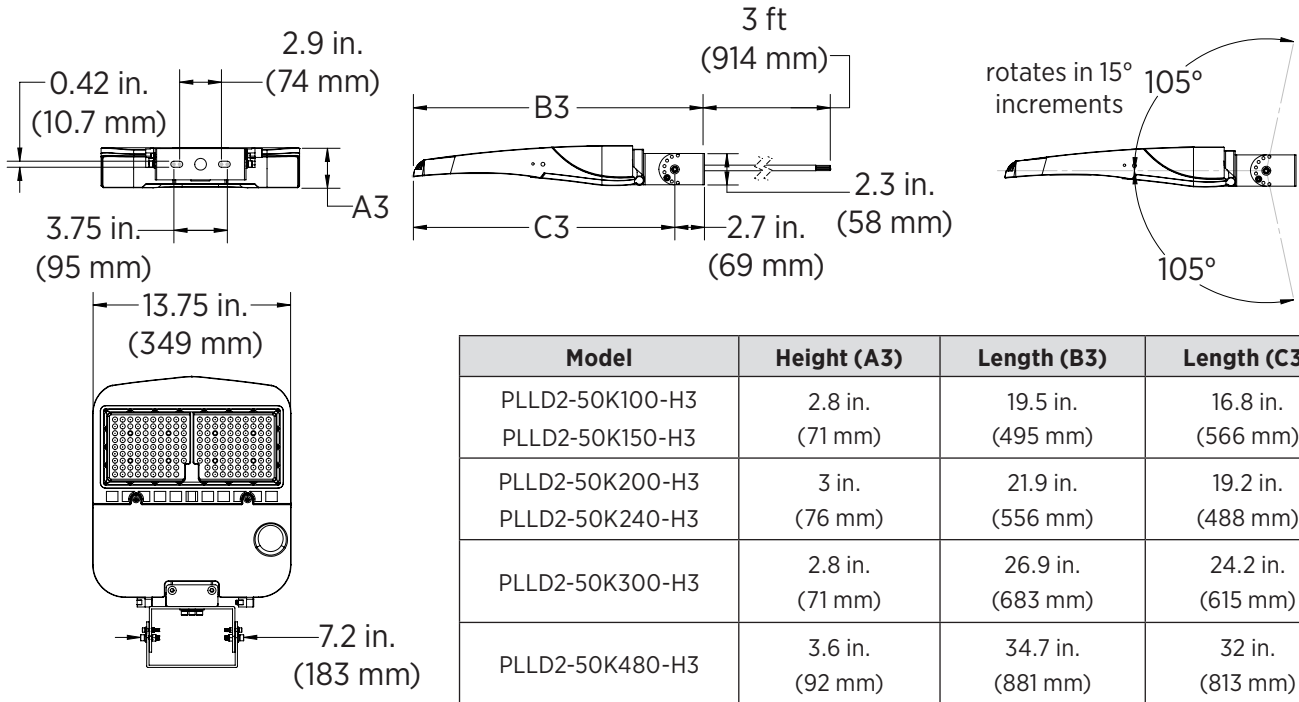


PLLD2 Series

LED Parking Lot/Area Light Specifications

Dimensional Drawing

PLLD2-x-WM



PLLD2-x-SF

