

Important: Read all instructions prior to installation.

P-STRB-x18 18-Watt Two-Color LED Light Head



Parts Included

- 1- P-STRB-x18 LED Strobe Light Head
- 1- Instructional Sheet
- 1- Mounting Screws

Wiring

- Red – Power In(+)
- Black – Ground In (-)
- Yellow – Pattern Select (Momentary +)
- White – Sync Output
- Brown – Sync Input

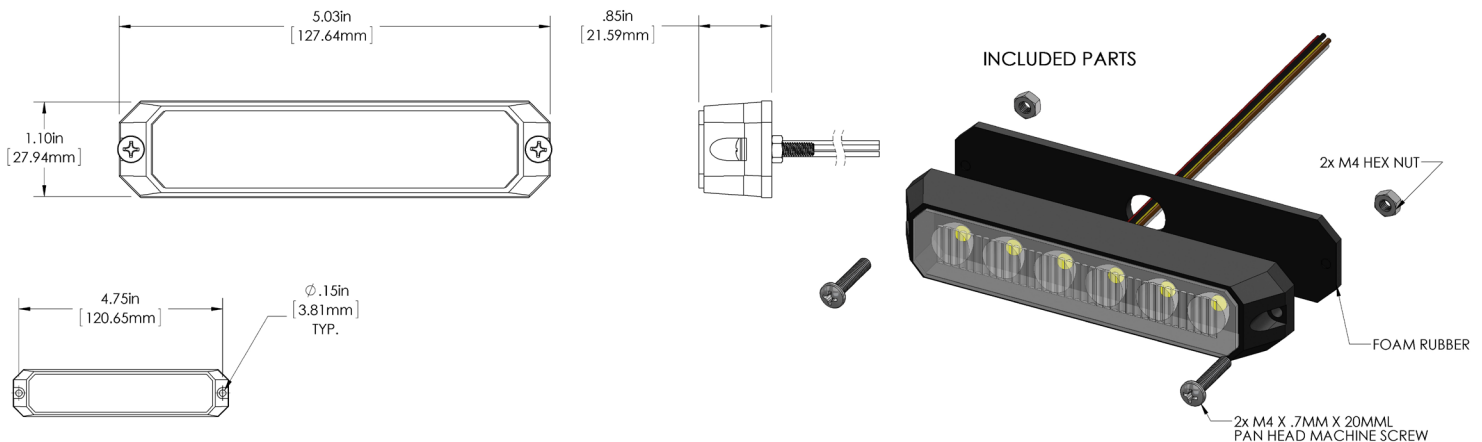
Operation

This light head can be synchronized with up to 3 others of the same light head (4 total). In order to sync, the lights should be on the same pattern to start. Connecting the yellow wire to the power for one second will select next flash pattern. Lights will return to the last pattern selected when power cycled.



Warning: Before making any connections to the automotive wiring, always disconnect the battery negative terminal

Dimensions



Specifications

P-STRB-x18	
Voltage	11-30VDC
Current Max/Typical	230mA/75mA
IP Rating	Waterproof IP67
Dimensions	5.03in (12.76cm) x 1.10in (2.79cm) x 0.85in (2.16cm)
Mounting Type	Surface Mount
Number of LEDs	3 x 3-Watt Color A, 3 x 3-Watt Color B
Wire Length	8in (20.3cm)
Housing Material	Painted Aluminum
Lens Material	Polycarbonate
Recommended Fuse Rating	3A/Light Head
Operating Temperature	-4 °F – +122 °F (-20 °C - +50 °C)
Weight	3.2 oz (90 g)

Flash Patterns

1 – Random	10 – Single, All
2 – Single, Split	11 – Double, All
3 – Double, Split	12 – Quad, All
4 – Quad, Split	13 – Accelerator, All
5 – Pulse, Split	14 – Quad/Single, All
6 – Accelerator, Split	15 – Pulse/Single, All
7 – Quad Burst, Split	16 – Half Steady, Color One
8 – Double/Accelerator, Split	17 – Half Steady, Color Two
9 – Quad/Accelerator, Split	18 – Off



Important: Read all instructions prior to installation.

P-STRB-x18 18-Watt Two-Color LED Light Head

Wiring Diagram

All Synchronized

