

Important: Read all instructions prior to installation.

Multi Light Adapter for 50" Straight Light Bar Brackets

Parts Included

- 1 - Multi-Light Bracket
- 2 - 5/16" Bolts
- 2 - 5/16" Washers
- 2 - 5/16" Flange Locks



Important

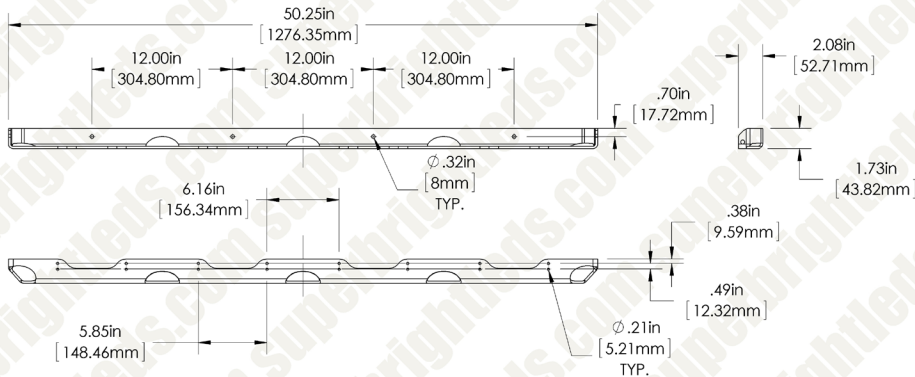
Please read instructions before beginning installation. Check the kit hardware against the kit contents shown. Be sure you have all needed parts and know where they go. This adapter bar was designed to fit on brackets that hold straight 50" light bars.

Installation Instructions

1. Install your lights on the multi-light bar with the hardware included with the lights.
2. Raise the multi-light bar up to your 50" light bar brackets and attach using the supplied 5/16" bolts, washers and nuts.
3. Use the holes on each side of every light to secure wires.

Dimensions

NOTE: THE DIMENSIONS FOR THIS PRODUCT ARE FOR REFERENCE ONLY. SOME BRACKETS ARE ABLE TO SHIFT TO DESIRED POSITION WHEN INSTALLED. USE BRACKETS WITH FIXTURE TO MARK HOLES BEFORE DRILLING.



INCLUDED PARTS

