

Important: Read all instructions prior to installation.

12V AC/DC Rectangular Step Lights

Indoor / Outdoor Use

Parts Included

- 1 - Indoor/Outdoor Step Light
- 2 - Gaskets
- 1 - Mounting Hardware Set

Tools & Supplies Required

- Screw Driver
- Wiring Nuts

Important

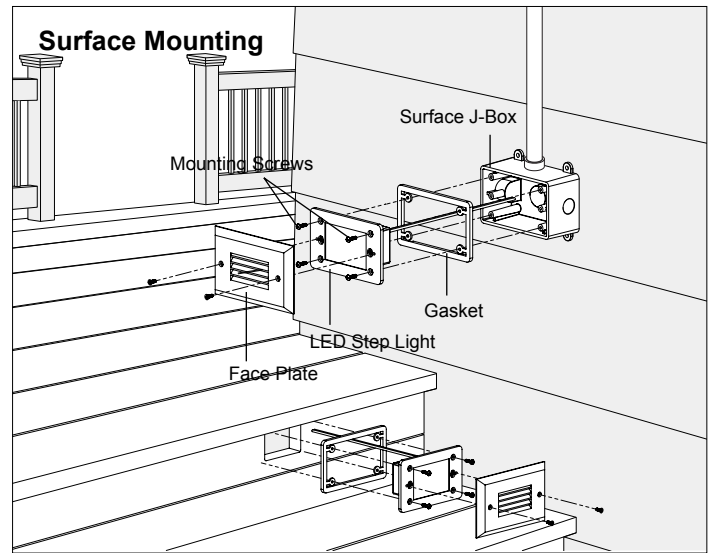
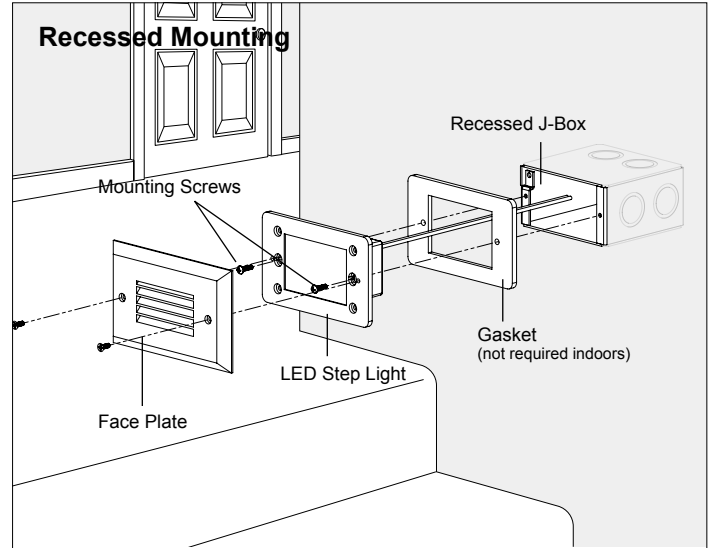
J-Boxes and Mud Rings are not required when mounting these low voltage lights. If a J-Box is required, be sure to select a J-Box with at least 1.25" of clearance inside the box. Make sure the J-Box is free of any obstructions to allow space for wiring and connections. Pay close attention to where the grounding screw is located and be sure the screw does not interfere with fully seating the step light.

CAUTION

Make certain power is off from the electrical panel or power supply before starting the installation and when servicing the installation. This fixture must be wired in accordance to local electrical codes and ordinances. All work should be performed by qualified person(s) or electrician(s).

Installation Instructions

1. Begin by turning off power to the circuit from the electrical panel or power supply.
2. Choose the appropriate gasket to use with your optional J-Box. The supplied gasket with the groove is used for installations with a surface mount die cast J-Box with mounting pillars inside. Use the flat gasket for all other outdoor installations. Gaskets must be used in outdoor applications.
3. This step light is non-polarized and will work on both 12VAC and 12VDC voltages, connect either wire from the supply cable to either wire of the step light with a wire nut. Connect the remaining wire from the supply cable to the remaining wire of the step light with a wire nut.
4. Use the supplied hardware or the hardware that came with the J-Box, insert and tighten the mounting hardware in an even manner.
5. Install the trim plate with the included hardware.



Gaskets

