

**Important: Read all instructions prior to installation.**

Indoor / Outdoor Use

# 120V Rectangular Step Lights

## Parts Included

- 1 - Indoor/Outdoor Step Light
- 2 - Gaskets
- 1 - Mounting Hardware Set

## Tools & Supplies Required

- Screw Driver
- Wiring Nuts

## Important

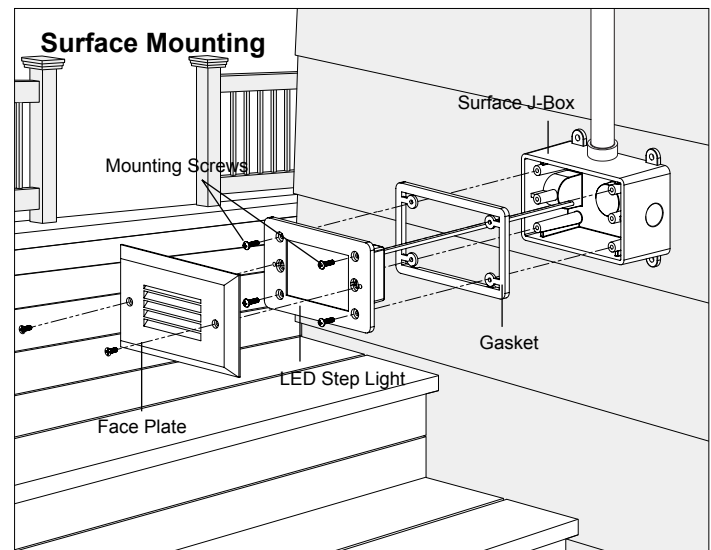
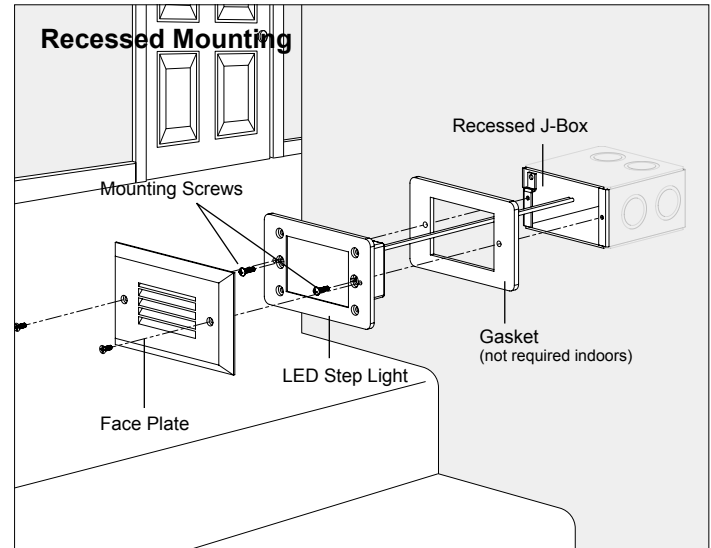
Be sure to select a J-Box with at least 1.25" of clearance inside the box. Make sure the J-Box is free of any obstructions to allow space for wiring and connections. Pay close attention to where the grounding screw is located and be sure the screw does not interfere with fully seating the step light.

## CAUTION

Make certain power is off from the electrical panel or power supply before starting the installation and when servicing the installation. This fixture must be wired in accordance to local electrical codes and ordinances. All work should be performed by qualified person(s) or electrician(s).

## Installation Instructions

1. Begin by turning off power to the circuit from the electrical panel.
2. Choose the appropriate gasket to use with your J-Box. The supplied gasket with the groove is used for installations with a surface mount die cast J-Box with mounting pillars inside. Use the flat gasket for all other outdoor installations. Gaskets must be used in outdoor applications.
3. Connect the green(ground) wire from the supply cable to the grounding screw inside the J-Box. Connect the white(neutral) wire from the supply cable to the white wire of the step light and secure with a wire nut. Connect the black(line) wire from the supply cable to the black wire of the step light and secure with a wire nut.
4. Use the supplied hardware or the hardware that came with the J-Box, insert and tighten the mounting hardware in an even manner.
5. Install the trim plate with the included hardware.



## Gaskets

