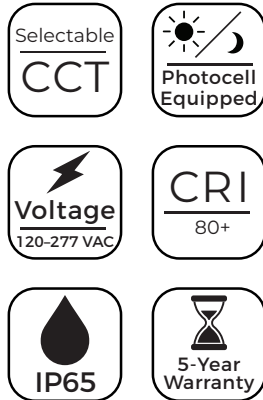


## MWP2 Series

Mini LED Wall Pack Specifications

Project \_\_\_\_\_

Date \_\_\_\_\_ Type \_\_\_\_\_



### Description

MWP2-series mini LED wall packs are a reliable and compact lighting solution for commercial and multi-residential locations. Available in both single CCT and selectable CCT to match any location or application. Architectural bronze powder coated housing and impact resistant lens is suitable for wet locations and outdoor application. All MWP2s have a photocell included for dusk to dawn operation, which can easily be bypassed as needed.

### Construction

- Powder coated (Pantone 412C) die-cast aluminum housing
- Impact-resistant, frosted polycarbonate lens
- Photocell included for dusk-to-dawn operation—turns light on below 25 lx, then turns light off when back above 130 lx
- ½” trade size conduit knockouts

### Electrical

- All models are compatible with 120–277 VAC
- Selectable CCT models are 0–10 V dimmable
- Replaces 50 W / 70 W / 100 W MH fixtures respectively

### Optics

- 100° beam angle
- Single CCT models output 125 lm/W and selectable models output 135–145 lm/W
- 80+ CRI offers superior performance to MH wall packs

### Warranty

Five (5) Year Warranty

### Available Models<sup>1</sup>

#### 3000K

- MWP2-30K15W-SAFBR
- MWP2-30K20W-SAFBR

#### 4000K

- MWP2-40K15W-SAFBR
- MWP2-40K20W-SAFBR
- MWP2-40K30W-SAFBR

#### 5000K

- MWP2-40K20W-SAFBR

#### Selectable CCT

- MWP2-SW50K15-SLFBR
- MWP2-SW50K20-SLFBR
- MWP2-SW50K30-SLFBR

### Part Number Breakdown

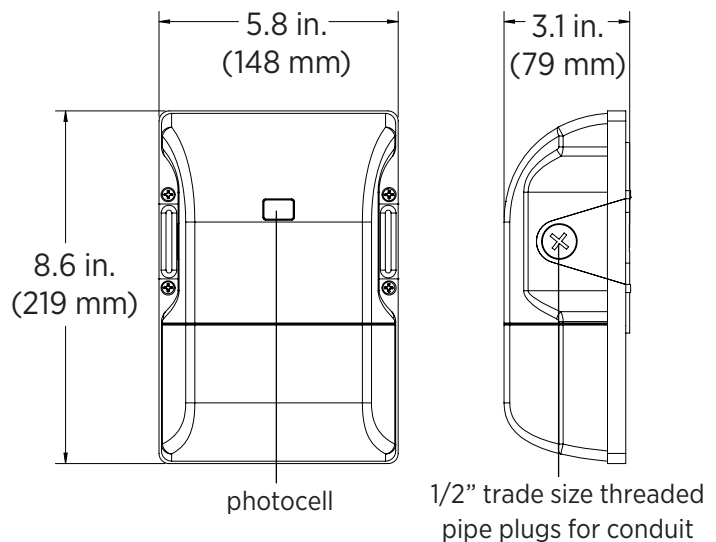
Example: MWP2-40K20W-SAFBR

Family	Color Temperature	Wattage	Options	Finish
MWP2	30K [3000K]	15 or 15W [15 W]	SAF or SLF [photocell-equipped with frosted lens]	BR [brown]
	40K [4000K]	20 or 20W [20 W]		
	50K [5000K] or SW50 [selectable]	30 or 30W [30 W]		

### Application

Easily replaces inefficient metal-halide fixtures such as those found in warehouses, parking lots and garages, gas stations, and other commercial and industrial spaces. These are also a great solution for entryways and other areas where good lighting is essential for security.

### Dimensions



T 314.743.3067  
 F 314.972.6202  
 email: commercial-sales@superbrightleds.com  
 www.superbrightleds.com/cat/industrial-led-lighting/

<sup>1</sup>Contact customer service if interested in options other than those listed.

# MWP2 Series

## Mini LED Wall Pack Specifications

### Specifications

Single CCT Model	MWP2-xK15W-SAFBR	MWP2-xK20W-SAFBR	MWP2-xK30W-SAFBR
Intensity	1,875 lm	2,500 lm	3,750 lm
Operating Voltage	100-277 VAC		
Power Consumption	15 W	20 W	30 W
Current Draw	125 mA @120 VAC	167 mA @120 VAC	250 mA @120 VAC
Efficacy	125 lm/W		
Color Temperature	3000K or 4000K (as ordered)	3000K, 4000K, or 5000K (as ordered)	4000K
Beam Angle	110°		
CRI	80+		
Dimming	no		
Photocell Operation	Light turns on when the ambient light level falls below 25 lx and will turn off when the ambient light level exceeds 130 lx.		
IP Rating	IP65		
Ambient Operating Temperature	-4°-113° F (-20°-45° C)		
Product Weight	2 lb (0.91 kg)		
Rated Life (L70)	50,000 hours		

Selectable CCT Model	MWP2-SW50K15-SLFBR	MWP2-SW50K20-SLFBR	MWP2-SW50K30-SLFBR
Intensity <sup>2</sup>	2,025-2,175 lm	2,700-2,900 lm	4,050-4,350 lm
Operating Voltage	120-277 VAC		
Power Consumption	15 W	20 W	30 W
Current Draw	125 mA @120 VAC	167 mA @120 VAC	250 mA @120 VAC
Efficacy	135-145 lm/W		
Color Temperature	Selectable (switches between 3000K / 4000K / 5000K)		
Beam Angle	100°		
CRI	80+		
Dimming	0-10 V		
Photocell Operation	Light turns on when the ambient light level falls below 25 lx and will turn off when the ambient light level exceeds 130 lx.		
IP Rating	IP65		
Ambient Operating Temperature	-4°-113° F (-20°-45° C)		
Product Weight	2.25 lb (1.02 kg)		
Rated Life (L70)	50,000 hours		

### Certifications and Compliances

Selectable lights are UL Listed and fixed CCT lights are ETL Listed, both in compliance with UL 1598 (IFAM).



<sup>2</sup>Intensity varies by CCT, with cooler temperatures having higher lumen values.

